

A white, stylized wing-like graphic with a black outline, containing the company name and contact information.

AIRFORMS

855-340-8244

airforms.biz

**2021 PRODUCT CATALOG
FAA-PMA AIRCRAFT PARTS**

Distributed by Airpart Supply Ltd
www.airpart.co.uk

ONLINE: WWW.AIRFORMS.BIZ EMAIL: INFO@AIRFORMS.BIZ

About Airforms

Founded in 1998 by pilots and mechanics, Airforms, Inc. is a preferred supplier of aircraft components for many aircraft owner/operators. Airforms carries a large inventory of FAA PMA approved parts.

Airforms is located in the heart of the Alaskan aviation scene, 60 miles from Anchorage. Our products are developed from real world needs, and have often been requested by experienced pilots and operators.

Our team of craftsmen is proud of the impeccable workmanship and quality exhibited in all our products. High quality and commitment to customer satisfaction are key to our company mission. All our parts are manufactured using state of the art CAD/CAM technology and CNC equipment. Use of the latest technology combined with exemplary craftsmanship has brought a high level of refinement to our products.

Airforms, Inc. maintains an FAA accepted Quality Assurance System for production of FAA PMA parts. Airforms also maintains a full time staff of FAA Designated Engineering Representatives (DERs) who are continuously involved in design and FAA certification activities.

We ship parts to every corner of the globe and we can supply FAA form 8130-3 with any approved part upon request. Airforms keeps stock of all FAA PMA approved parts, and can often accommodate AOG requests.

We welcome your feedback! Customer service is our top priority. Airforms is open from 7 AM to 7 PM Central Standard Time (CST) to serve you throughout the business day. We may be reached immediately either by phone or e mail; or select the Contact Us portion of our website www.airforms.biz, which is maintained continuously with updated products, pricing, and ordering information.

Shipping/Mailing address:

Airforms, Inc.
3650 W. Aviation Ave.
Wasilla, AK 99654 USA

Phone (855) 340-8244
Local Phone (907) 357-8244
Fax (907) 357-7244

E mail info@airforms.biz
Web www.airforms.biz

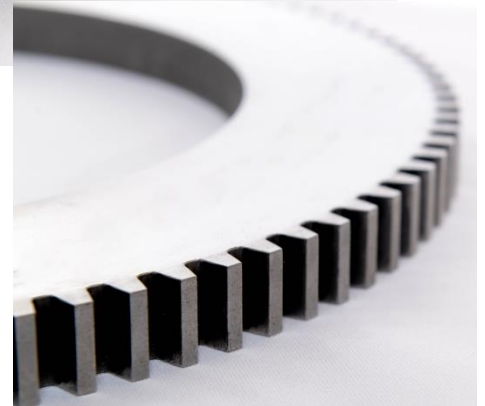
Table of Contents

CASA 212 BRAKE DISC	5
CASA 212 BUSHINGS.....	6
CASA 212 NOSE GEAR FORK BOLT	7
CASA 212 STEERING ACTUATOR HOUSING AND END CAPS - COMING SOON.....	8
CESSNA STEEL AXLE - SINGLE ENGINE MAIN GEAR.....	9
CESSNA TITANIUM AXLE - SINGLE ENGINE MAIN GEAR	10
CESSNA 207 CARGO DOOR UP LATCH	11
CESSNA 206/207/210 HEAT SHIELD	12
CESSNA 208/208B OIL COOLER BAFFLE.....	13
CESSNA 208/208B PRIMARY EXHAUST FLANGE	14
CESSNA 208 CABIN HEAT VENTS	15
CESSNA 208B CABIN HEAT VENTS	16
CESSNA 208/208B TAIL TIE DOWN HANDLE.....	17
CESSNA 208/208B TIE-DOWN TRIM PLATE.....	18
CESSNA 208/208B CREW DOOR PANELS.....	19
CESSNA 208/208B FUEL SELECTOR PANELS - COMING SOON.....	20
CESSNA 208/C208B TORQUE LINK PIN STC	21
CESSNA 208/C208B TORQUE LINK PIN STC (CONT'D)	22
CESSNA 208/208B TORQUE LINK PINS, BOLTS, AND BUSHINGS	23
CESSNA 208/208B TORQUE LINK STC TOOL KITS.....	24
CESSNA 208/208B TORQUE LINK.....	25
CESSNA 208/208B HIGH STRENGTH WHEEL BOLT STC	26
CESSNA 208/208B PASSENGER DOOR STEP.....	27
CESSNA 208/208B DOOR HINGES	28
CESSNA 208/208B CREW STEP LADDER.....	29
GA8/GA8-TC AIRVAN CABIN TRIM.....	30
GA8/GA8-TC AIRVAN GRAVEL DEFLECTORS.....	31
HELIO H-295 HIGH STRENGTH AXLE	32
HELIO H-295 HIGH STRENGTH STABILATOR BRACKETS.....	33
PIPER PA-31 DOOR LATCH.....	34
ELIGIBILITY INDEX FOR BAFFLES	35
BEECHCRAFT BARON 95-55, 95-A55, 95-B55.....	36
CESSNA 120/140.....	37
CESSNA 150 (1964-1970).....	38
CESSNA 150 (1971-1977).....	39
CESSNA 152 (1978-1982).....	40
CESSNA 170A / B (1949 - 1952)	41
CESSNA 170B (1953-56) - 172 (1956-58).....	42
CESSNA 172 I, K, L (1968-1972) EARLY M (1973)	43
CESSNA 172M (1974-1976)	44
CESSNA 172N 1977 - 1979.5.....	45
CESSNA 172N (1979.5 - 1980).....	46
CESSNA 172P	47
CESSNA 172R (1997-1998)	48
CESSNA 172R (1999-2004).....	49

CESSNA 172RG (1979-1985)	50
CESSNA 172S (1998 - 2004.5)	51
CESSNA 177 (1968).....	52
CESSNA 177 (1973-1974).....	53
CESSNA 177RGII (1975-1978).....	54
CESSNA 180 (1956-1981) / 182 (1958-1973).....	55
CESSNA 180 (1956-1981) / 182 (1958-1973) OIL COOLER OPTIONS	56
CESSNA 182 (1974-1976).....	57
CESSNA 182 (1977-1986).....	58
CESSNA 182 (1974-1986) OIL COOLER OPTIONS	59
CESSNA 185.....	60
CESSNA 185 OIL COOLER OPTIONS.....	61
CESSNA 206 (1964) // U206 (1965-1971.5)	62
CESSNA P206 (1965-70)	63
CESSNA 207 (1969-75)	64
CESSNA 206 (1964-1971.5) // 207 (1969-75) OIL COOLER OPTIONS.....	65
CESSNA 206 (1974-1986).....	66
CESSNA 210 (1970-1973).....	67
CESSNA 210 (1976-1980).....	68
CESSNA 402C, 414A.....	69
GRUMMAN AA-5A	70
GRUMMAN AA-5B	71
MOONEY M20J	72
PIPER PA-18-150	73
PIPER PA-22-150	74
PIPER PA-28-140 (1964 -1971.5).....	75
PIPER PA-28-161	76
PIPER PA-28-180 (1965-72.5).....	77
PIPER PA-28-180 (1972.5-75).....	78
PIPER PA-28-181 ARCHER 2.....	79
PIPER PA-28-181 ARCHER 3.....	80
PIPER PA-28R-200	81
PIPER PA-28R-201	82
PIPER PA-28-235	83
PIPER PA-28-236	84
PIPER PA-30	85
PIPER PA-31-310	86
PIPER PA-31 325 / 350.....	87
PIPER PA-32-260 (1965-1978)	88
PIPER PA-32-300	89
PIPER PA-39	90
PIPER PA-44-180	91

CASA 212 BRAKE DISC

Part #	Description	Eligibility
AF5004272	BRAKE DISC	All EADS CASA model 212-200 and 212-300



- Airforms P/N AF5004272, Brake disc
- Direct replacement for Meggitt P/N 5004272
- Eligible for all S/N aircraft, CASA model 212-200, 212-300
- Airforms part is manufactured from identical material and is precisely machined to match original part performance
- Precision fit – drop in replacement for the original part
- Ready for installation
- FAA PMA Approved
- Stock maintained for immediate worldwide shipping

CASA 212 BUSHINGS



Airforms Part #	Replaces CASA Part #	Eligibility
AF212-46614-04-1	212-46614-04-1	All S/N CASA 212
AF212-14105-02.1	212-14105-02.1	All S/N CASA 212
AFCAN64067-6X10BP	CAN64067-6X10BP	All S/N CASA 212
AFCAN64067-8X8BP	CAN64067-8X8BP	All S/N CASA 212
AFCAN64068-8X5AP	CAN64068-8X5AP	All S/N CASA 212
AFCAN64068-10X5AP	CAN64068-10X5AP	All S/N CASA 212
AFCAN64068-10X6AP	CAN64068-10X6AP	All S/N CASA 212
AFCAN64068-10X7B	CAN64068-10X7B	All S/N CASA 212
AFCAN64068-10X8AP	CAN64068-10X8AP	All S/N CASA 212
AFCAN64068-10X12BP	CAN64068-10X12BP	All S/N CASA 212
AFCAN64068-10X13BP	CAN64068-10X13BP	All S/N CASA 212
AF212-42101-02-1	212-42101-02-1	All S/N CASA 212
AF212-42107-04-1	212-42107-04-1	All S/N CASA 212
AFCAN64068-12X14BP	CAN64068-12X14BP	All S/N CASA 212
AFCAN64068-12X24BP	CAN64068-12X24BP	All S/N CASA 212
AFCAN64068-14X10B	CAN64068-14X10B	All S/N CASA 212
AFCAN64068-14X14B	CAN64068-14X14B	All S/N CASA 212
AF212-41201-02-1	212-41201-02-1	All S/N CASA 212
AF212-41201-02-1-004	212-41201-02-1-004	All S/N CASA 212

- Eligible for installation on CASA model 212 – all S/N's
- Precision fit drop-in replacements for original parts
- Airforms' bushings are machined from a nickel bronze alloy for high durability and long life
- FAA PMA Approved

CASA 212 NOSE GEAR FORK BOLT

Part #	Description	Eligibility
AF212-42001-06-3	CASA 212 Nose Gear Fork Bolt	CASA 212-CB through CF, 212-DE, 212-DF



- FAA PMA Approved
- Precision Machined for Superior Fit
- A Fraction of the Cost of OEM Replacements
- Direct Replacement for OEM Part Numbers 212-42001-06-1 & 212-42001-06-3
- Eligible for Installation on Most CASA 212 Models

CASA 212 STEERING ACTUATOR HOUSING AND END CAPS - COMING SOON

Part #	Description	Eligibility
AF212-42112-01.7-51	Housing, CASA 212 Steering Actuator	All S/N CASA 212-200
AF212-42112-04.1	End Cap, CASA 212 Steering Actuator	All S/N CASA 212-200



- All components machined from aerospace grade aluminum alloys
- Drop in replacements for CASA P/N's 212-42112-01.7-51, and 212-42112-04.1
- End Caps have reinforced design for resistance to cracking
- All components are anodized for long life
- Latest housing design incorporating all CASA revisions
- All components interchangeable with OEM parts on individual basis
- All components pressure tested IAW CASA maintenance procedures
- Precision fit – drop in replacements for original components
- FAA PMA Approval pending

CESSNA STEEL AXLE - SINGLE ENGINE MAIN GEAR

Part #	Description	Eligibility
AF1441003-1	High Strength Steel Axle	Cessna 170, 172, 175, 180, 182, 185, 206 and L-19 (305) w/ spring steel gear



- Airforms P/N AF1441003-1
- Direct replacement for Cessna parts 0541124, 0541124-1, and 1441003-1
- Applicable to a wide range of Cessna aircraft, including Cessna 170, 172, 175, 180, 182, 185, 206 and L-19 (305)
- Enhanced structural margin when operating with large tires or skis
- Airforms part is manufactured from high strength steel and is machined from a single billet
- Precision fit – drop in replacement for the original part
- Cadmium plated for increased durability
- This part has a long and successful service history and is favored by many owner/operators who cannot afford to be stranded with a broken axle when operating in remote areas
- FAA PMA Approved

CESSNA TITANIUM AXLE - SINGLE ENGINE MAIN GEAR

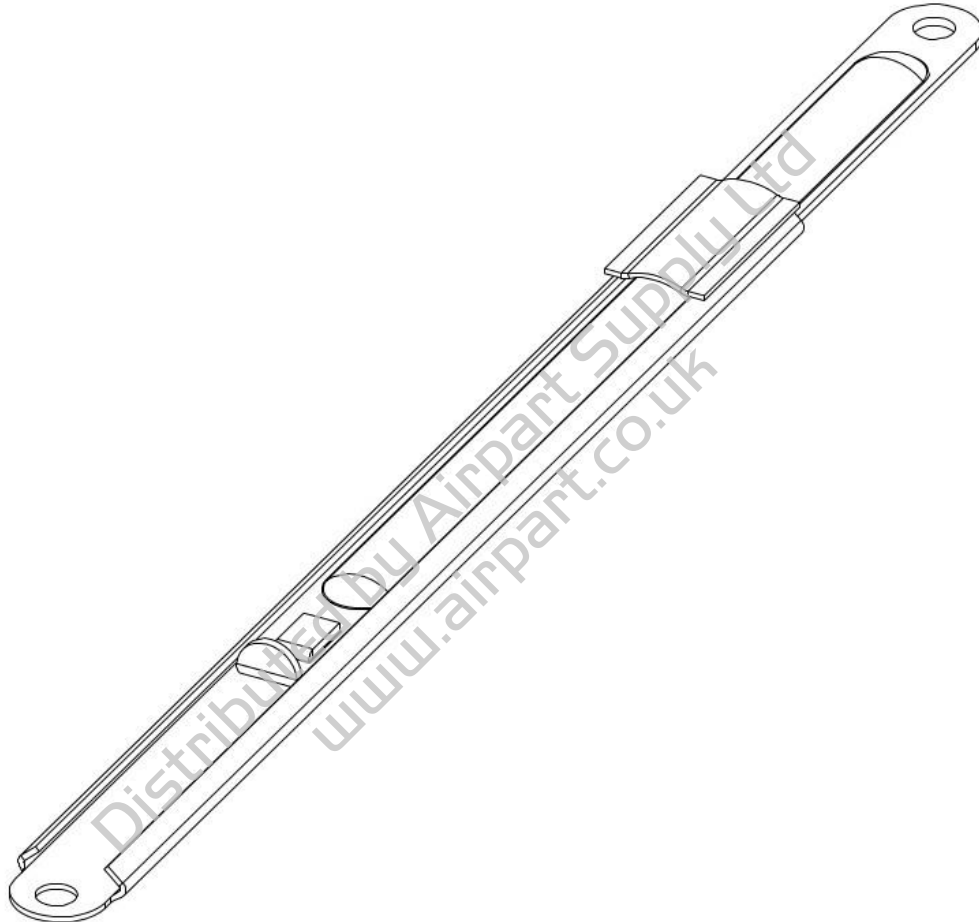
Part #	Description	Eligibility
AF1441003-1T	Titanium Axle	Cessna 170, 172, 175, 180, 182, 185, 206 and L-19 (305) with flat spring gear



- Adds strength and reduces weight by 2 pounds per pair over steel axles
- Applicable to a wide range of Cessna aircraft, including Cessna 170, 172, 175, 180, 182, 185, 206 and L-19 (305)
- Direct replacement for Cessna parts 0541124, 0541124-1, and 1441003-1
- Enhanced structural margin when operating with large tires or skis
- Precision fit – direct replacement for the original part
- Will not rust
- FAA PMA Approved

CESSNA 207 CARGO DOOR UP LATCH

Part #	Description	Eligibility
AF1213922-1	Cargo door up latch	All S/N Models 207, 207A, T207, and T207A



- Cargo door up latch for nose baggage compartment
- Direct replacement for Cessna P/N 1213922-1
- Eligible for all S/N aircraft, Cessna models 207, 207A, T207, and T207A
- Improved strength and serviceability from original part
- Nickel plated for long service life with less corrosion
- Precision fit – drop in replacement for the original part
- No more holding up the door while loading!
- FAA PMA Approved
- Ready for installation

CESSNA 206/207/210 HEAT SHIELD

Part #	Description	Eligibility
AF1250918-2	Engine Mount Heat Shield	Cessna 206/207/210



- Drop in replacement for Cessna P/N 1250918-2
- Aluminum construction resists heat absorption
- Cerakote coating inhibits transfer of heat to engine mount isolators
- Protects engine mount isolators for long life
- FAA PMA Approved

CESSNA 208/208B OIL COOLER BAFFLE

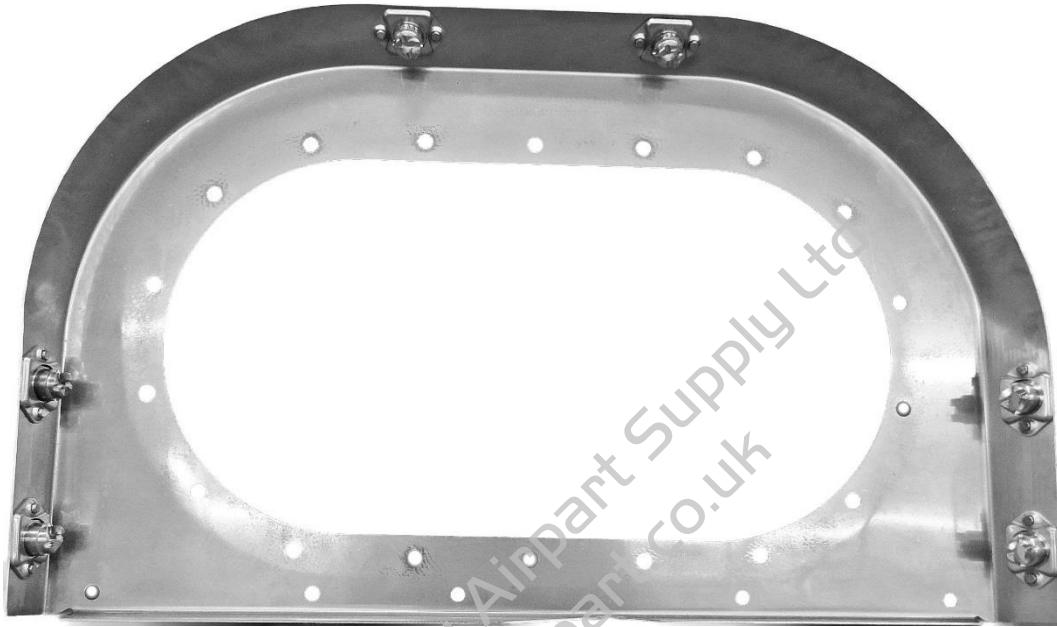
Part #	Description	Eligibility
AF2650098-5	Baffle, oil cooler	All S/N Model 208 & 208B



- Airforms P/N AF2650098-5, Oil Cooler Baffle
- Direct replacement for Cessna P/N 2650098-4 and -5
- Eligible for all S/N aircraft, Cessna models 208 and 208B w/ PT6A-114A engine and large oil cooler
- Reinforced design for longer life – increased thickness, doublers added at critical locations to extend serviceability
- Replaceable low cost seal
- Precision fit – drop in replacement for the original part
- FAA PMA Approved

CESSNA 208/208B PRIMARY EXHAUST FLANGE

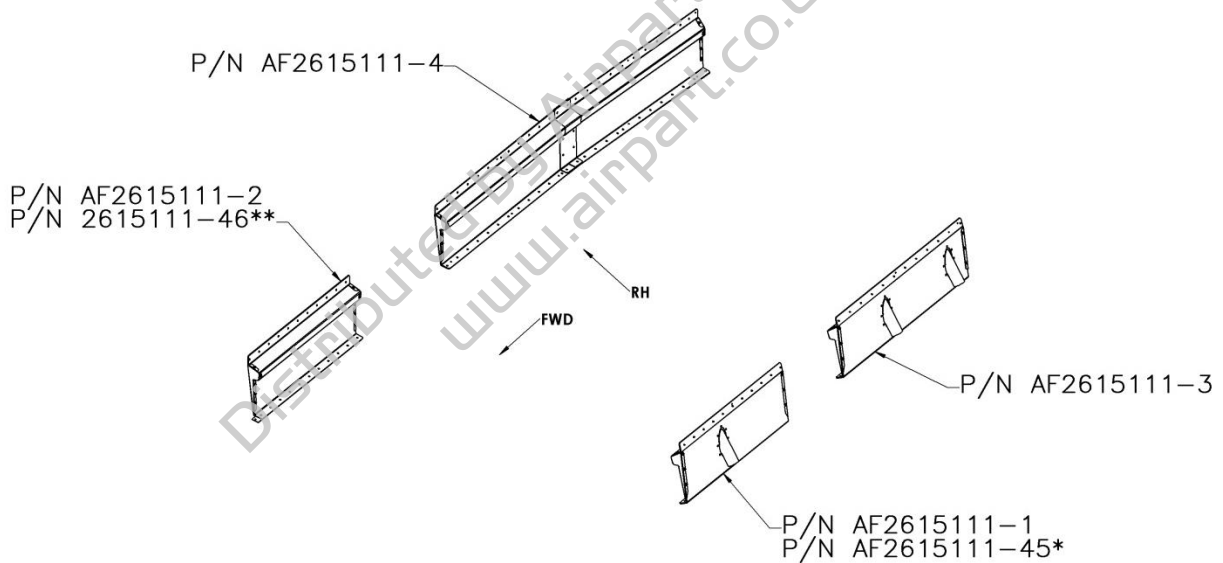
Part #	Description	Eligibility
AF2654006-10	Exhaust Flange Assembly	All S/N Model 208 & 208B



- Airforms P/N AF2654006-10, Exhaust Flange Assembly
- Direct replacement for Cessna P/N 2654006-10
- Airforms, Inc. replacement part features a wide notch for improved clearance, and the removal of one fastener. These design features reduce the stress concentration on the component during operations, for improved longevity
- Flange is formed from durable stainless steel
- Eligible for installation on all C208/208B aircraft with -114 and -114A engines
- Precision fit – drop in replacement for the original part
- FAA PMA Approved

CESSNA 208 CABIN HEAT VENTS

Part #	Description	Eligibility
AF2615111-1	Heater Vent LH FWD CNTR	S/N's 0001 thru 0312
AF2615111-2	Heater Vent RH FWD CNTR	S/N's 0001 and on
AF2615111-3	Heater Vent LH AFT	S/N's 0001 and on
AF2615111-4	Heater Vent RH AFT	S/N's 0001 and on
AF2615111-45	Heater Vent LH FWD CNTR	S/N's 0313 and on

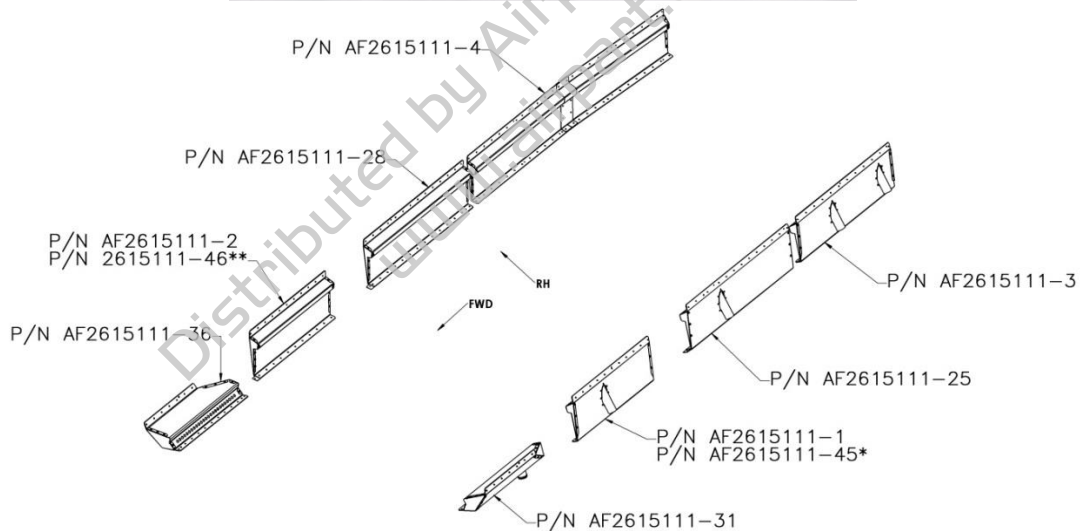


NOTES:
 * -45 APPLICABLE TO S/N 20800313 AND ON
 ** AIRFORMS -2 VENT REPLACES CESSNA -2 OR -46, ALL S/N

- Reinforced design for longer life
- Powder coated metal endcaps provide longer service life than fragile plastic OEM endcaps due to higher strength and superior resistance to damage
- Precision fit – drop in replacement for the original parts
- FAA PMA Approved

CESSNA 208B CABIN HEAT VENTS

Part #	Description	Eligibility
AF2615111-1	Heater Vent LH FWD CNTR	S/N's 0214 thru 0765
AF2615111-2	Heater Vent RH FWD CNTR	S/N's 0214 and on
AF2615111-3	Heater Vent LH AFT	S/N's 0214 and on
AF2615111-4	Heater Vent RH AFT	S/N's 0214 and on
AF2615111-25	Heater Vent LH FWD AFT	S/N's 0214 and on
AF2615111-28	Heater Vent RH FWD AFT	S/N's 0214 and on
AF2615111-31	Heater Vent LH FWD	S/N's 0214 and on
AF2615111-36	Heater Vent RH FWD	S/N's 0214 and on
AF2615111-45	Heater Vent LH FWD CNTR	S/N's 0766 and on



NOTES:
 * -45 APPLICABLE TO S/N 208B0766 AND ON
 ** AIRFORMS -2 VENT REPLACES CESSNA -2 OR -46, ALL S/N

- Reinforced design for longer life
- Powder coated metal endcaps provide longer service life than fragile plastic OEM endcaps due to higher strength and superior resistance to damage
- Precision fit – drop in replacement for the original parts
- FAA PMA Approved

CESSNA 208/208B TAIL TIE DOWN HANDLE

Part #	Description	Eligibility
AF2612035-1	Tie down	All Cessna models 208 & 208B



- Airforms P/N AF2612035-1, Tail tie down handle, rear
- Direct replacement for Cessna P/N 2612035-1
- Eligible for all S/N aircraft, Cessna models 208 and 208B
- Precision fit – drop in replacement for the original part
- Aircraft interface unchanged
- Tail stand interface unchanged – works with your existing tail stand
- Comes primed and ready for installation
- FAA PMA Approved

CESSNA 208/208B TIE-DOWN TRIM PLATE

Part #	Description	Eligibility
AF2615118-1	Trim Plate	Cessna 208/208B Passenger aircraft only



- Airforms P/N AF2615118-1, Tie-down trim panel
- Direct replacement for Cessna P/N 2615118-1
- Eligible for Cessna model 208/208B passenger aircraft only
- Airforms part is manufactured from aluminum for longer life – original Cessna part was thin plastic
- Airforms part will not shatter when impacted at low temperatures
- Precision fit – drop in replacement for the original part
- Aircraft interface unchanged
- Durable powder-coating improves interior fit, finish, and longevity
- Ready for installation
- FAA PMA Approved

CESSNA 208/208B CREW DOOR PANELS

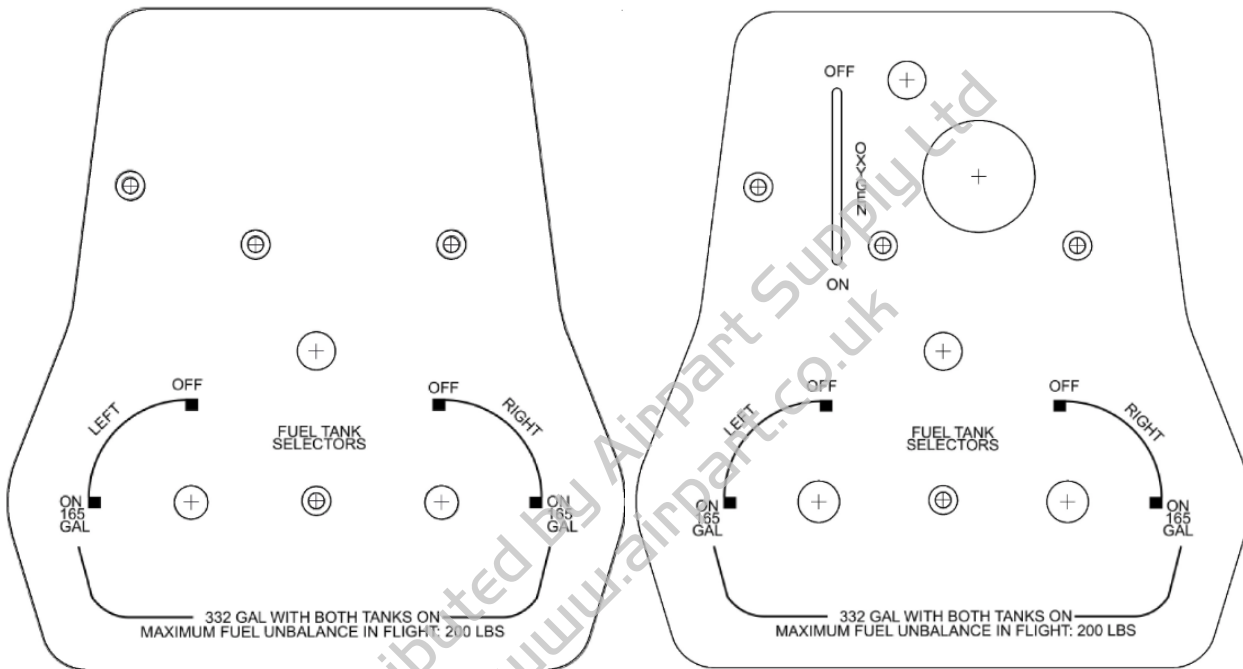
Part #	Description	Eligibility
AF2615180-1	LH CREW DOOR PANEL ASSY	All Cessna models 208 & 208B
AF2615180-2	RH CREW DOOR PANEL ASSY	All Cessna models 208 & 208B



- Airforms P/N AF2615180-1 (LH) and AF2615180-2 (RH)
- Direct replacement for Cessna P/N 2615180-1 and -2
- Eligible for all models 208 and 208B
- Also replaces door panels for early S/N aircraft – for these airframes in particular, the crew door panel can be replaced to bring a modern look and increased utility to your older aircraft
- Airforms part is identical to original Cessna part – includes retaining straps, fire extinguisher recess, large storage pocket, and certificate pouch.
- Precision fit – drop in replacement for the original part
- Installation in aircraft unchanged
- Color matched to original part
- FAA PMA Approved

CESSNA 208/208B FUEL SELECTOR PANELS – COMING SOON

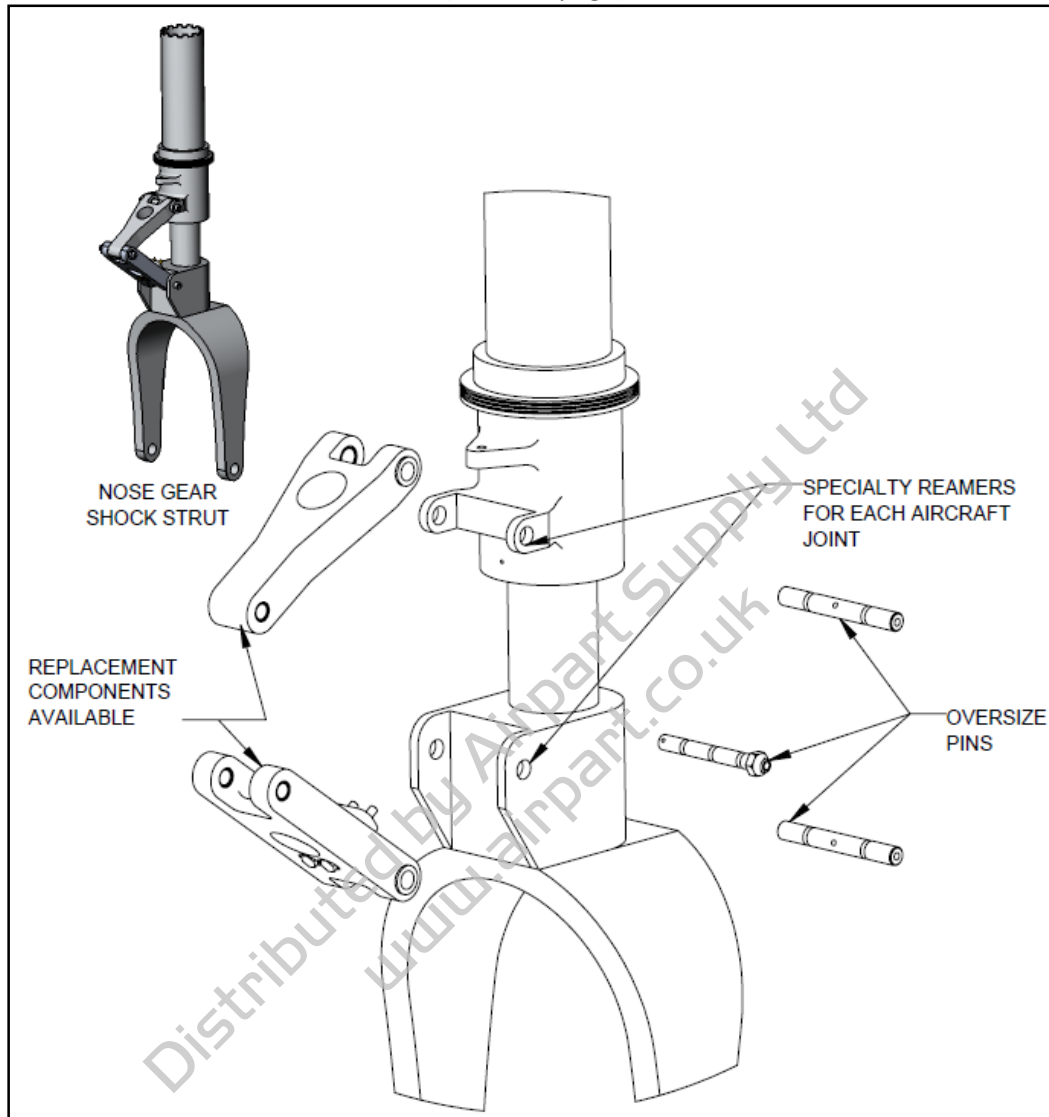
Part #	Description	Eligibility
AF2613437-7	GLASS ASSY-FUEL SELECT PANEL	All Cessna models 208 & 208B WITHOUT oxygen
AF2613437-11	LENS, WITH OXYGEN	All Cessna models 208 & 208B WITH oxygen



- Airforms P/N AF2613437-11, Fuel selector panel with oxygen
- Airforms P/N AF2613437-7, Fuel selector panel with no oxygen
- Direct replacement for Cessna P/Ns 2613437-7 and -11
- Eligible for all S/N aircraft, Cessna models 208 and 208B
- Airforms part is manufactured from slightly thicker clear polycarbonate, to prevent cracking and extend service life
- Part markings unchanged
- Precision fit – drop in replacement for the original part
- Ready for installation
- FAA PMA Approval Pending

CESSNA 208/C208B Torque Link Pin STC

(see next page)



Airforms designed this STC to help operators keep the nose gear linkage tight and shimmy-free. As the torque link joints loosen over time the nose gear is prone to shimmy, especially when operating the larger diameter nose wheel. This STC acknowledges the fact that wear is going to happen over the life of the gear, but by providing oversized pins and a carefully designed set of tools, wear can be removed incrementally to keep the nose gear operating like new. Other options for nose gear maintenance require that the entire nose gear be removed and sent off to be repaired by a repair station. This STC allows the gear to remain on the aircraft and the specialized tool kit allows the wear points to be reamed to exact sizes, even in the field. We've put a lot of thought into this and we truly hope that this STC will dramatically reduce the number of nose gear swaps you must accomplish to keep your Caravan operating.

CESSNA 208/C208B Torque Link Pin STC (Cont'd)

Some Highlights

What does the Airforms Torque Link Pin STC do for my 208/208B?

- Allows for the replacement of loose C208/208B Nose Gear torque link pins and bolts (Cessna Part Numbers 2643091-1 & 2643092-1)
- Allows for reaming of the torque links, bushings and aircraft attachment points, and installation of Airforms Part Numbers AF2643091-1 & AF2643092-1 in graduating oversizes to remove joint slop
- STC can be installed on aircraft without removing nose gear, including reaming operations with available specialty tool kit
- Torque links that were previously shelved for not meeting the maintenance manual limits can be evaluated and potentially put back into service
- **Huge potential for savings during the 40,000 cycle Nose Gear Life Limit**

What about the parts?

- Oversized FAA PMA'd pins & bolts available in .010, .020 and .030 oversizes
- Standard sized pins & bolts also available
- FAA or EASA approved STC sold separately
- Precision machined pins and bolts are Cad plated for long life

What else do I need to install?

- Tool kits available with piloted reamers for all 3 oversizes
- Shim washer installation to accommodate joint wear at center pivot

CESSNA 208/208B TORQUE LINK PINS, BOLTS, AND BUSHINGS

Part #	Description	Eligibility
AF2643085-200	TORQUE LINK BUSHING	All Cessna 208/208B
AF2643091-1	TORQUE LINK PIN - STANDARD	All Cessna 208/208B
AF2643091-1010	TORQUE LINK PIN – OVERSIZE 0.010	All Cessna 208/208B
AF2643091-1020	TORQUE LINK PIN – OVERSIZE 0.020	All Cessna 208/208B
AF2643091-1030	TORQUE LINK PIN – OVERSIZE 0.030	All Cessna 208/208B
AF2643092-1	TORQUE LINK BOLT - STANDARD	All Cessna 208/208B
AF2643092-1010	TORQUE LINK BOLT – OVERSIZE 0.010	All Cessna 208/208B
AF2643092-1020	TORQUE LINK BOLT – OVERSIZE 0.020	All Cessna 208/208B
AF2643092-1030	TORQUE LINK BOLT – OVERSIZE 0.030	All Cessna 208/208B



- Torque Link Pins & Bolts available in standard size as well as .010, .020, .030 oversizes
- Pins, Bolts and Bushings are FAA PMA Approved
- Precision machined Pins and Bolts are Cad plated for long life
- STC and specialty reamer kits available separately
- Standard washers available to prevent lateral play

CESSNA 208/208B TORQUE LINK STC TOOL KITS

Part #	Description	Eligibility
Tool Kit + 0.010	OVERSIZE 0.010 REAMERS – SHORT/LONG PILOTED REAMER, TAP HANDLE	All Cessna 208/208B
Tool Kit + 0.020	OVERSIZE 0.020 REAMERS – SHORT/LONG PILOTED REAMER, TAP HANDLE	All Cessna 208/208B
Tool Kit + 0.030	OVERSIZE 0.030 REAMERS – SHORT/LONG PILOTED REAMER, TAP HANDLE	All Cessna 208/208B
Tool Kit 32-604-56-01	MASTER TOOL KIT FOR TORQUE LINK STC – CONTAINS 6 CUSTOM REAMERS	All Cessna 208/208B



- For use with Airforms Torque Link Repair STC
- Specially designed Self-Piloting Reamers ensure reaming to exact sizes – even in the field
- Each kit contains a long and a short reamer and a ratcheting tap handle
- Kits available in .010, .020, .030 oversizes, or buy all 6 reamers and a tap handle in the master kit

CESSNA 208/208B TORQUE LINK

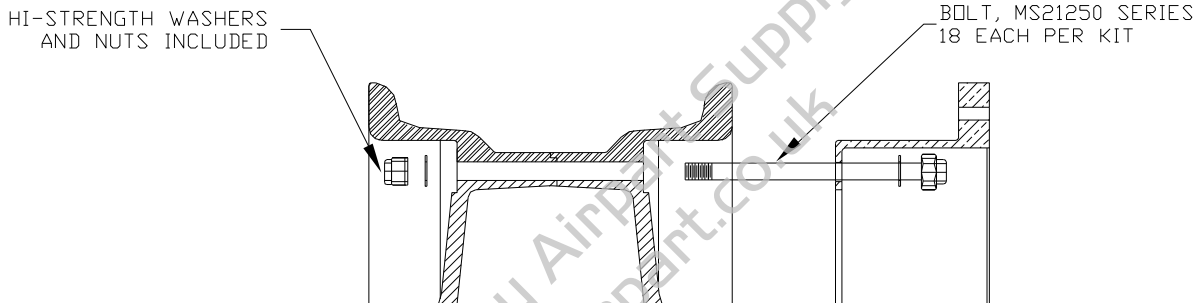
Part #	Description	Eligibility
AF2643084-1	Torque Link Assy – Upper	All Cessna 208/208B
AF2643084-2	Torque Link Assy – Lower	All Cessna 208/208B



- Airforms P/N AF2643084-1, Torque Link Assy – Upper
- Airforms P/N AF2643084-2, Torque Link Assy – Lower
- Direct replacement for Cessna P/Ns 2643084-1 and -2
- Eligible for all S/N aircraft, Cessna models 208 and 208B
- Airforms part provides one of the hardest aluminum surfaces to reduce wear
- Airforms part designed to prevent cracking in threaded grease fitting holes
- Precision fit – drop in replacement for the original part
- Ready for installation
- FAA PMA Approved

CESSNA 208/208B HIGH STRENGTH WHEEL BOLT STC

Part #	Description	Eligibility
AFC-208BOLTKIT-STC+058	HARDWARE AND STC, NO SPACER	All Cessna 208/208B
AFC-208BOLTKIT-STC+060	HARDWARE AND STC, WITH SPACER	All Cessna 208/208B
AFC-208BOLTKIT-058	HARDWARE ONLY NO SPACER	All Cessna 208/208B
AFC-208BOLTKIT-060	HARDWARE ONLY, WITH SPACER	All Cessna 208/208B
AFC-208BOLTKIT-STC-only	STC ONLY, HIGH STRENGTH HARDWARE	All Cessna 208/208B



- Airforms bolt kit replaces AN5 wheel hardware with high strength mil-spec hardware
- -058 kit is for aircraft without brake disc spacer
- -060 kit is for aircraft with brake disc spacer
- Kit includes high strength bolts, washers, and nuts.
- Eligible for all S/N aircraft, Cessna model 208 and 208B
- Precision fit – bolts and hardware fit identically
- No changes to continued airworthiness requirements
- FAA & EASA STC approved



CESSNA 208/208B PASSENGER DOOR STEP

Part #	Description	Eligibility
AF2617076-1	PASSENGER DOOR STEP	All Cessna 208/208B

TOP VIEW



BOTTOM VIEW



- FAA PMA & STC Approved
- Direct replacement for upper, middle and lower step (2617076-10, -11, -1)
- 100% Aluminum Construction
- Can Withstand Significantly More Weight Than OEM Part
- Is More Resilient to Weather and the Damaging Effects of Moisture
- Powder Coated to Resist Corrosion
- Provides Longer Service Life Than OEM Steps
- Comes with Slip-Resistant Tape Installed
- Substantial Savings vs. OEM

CESSNA 208/208B DOOR HINGES

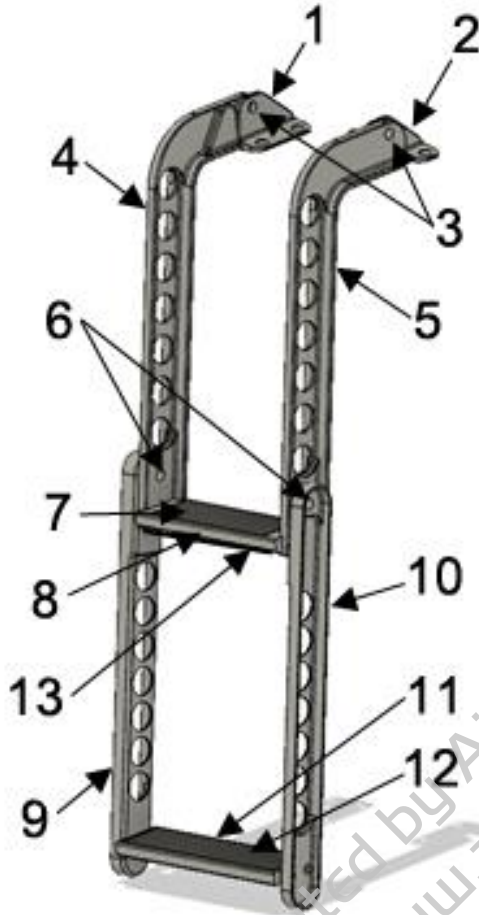
Eligibility: All Cessna 208/208B

Standard Hinge Part #	Bushed Hinge Part #
AF2617015-17	AF2617015-17B
AF2617015-18	AF2617015-18B
AF2617015-19	AF2617015-19B
AF2617015-20	AF2617015-20B
AF2617015-21	AF2617015-21B
AF2617015-22	AF2617015-22B
AF2617015-23	AF2617015-23B
AF2617015-24	AF2617015-24B
AF2617015-26	AF2617015-26B
Bushings Part #	
AF2617015-025 (short)	
AF2617015-049 (long)	



- Standard and Bushed Hinges Are Direct Replacements for Cessna Hinges
- Precision Machined for Superior Fit
- Anodized for Corrosion Resistance
- Bushed Hinges Allow for Multiple Repairs as Bushings Wear – OEM Hinges Only Allow a Single Repair (Cessna CAB96-2)
- FAA PMA Approved
- FAA PMA Approved Bushings Also Sold Separately

CESSNA 208/208B CREW STEP LADDER

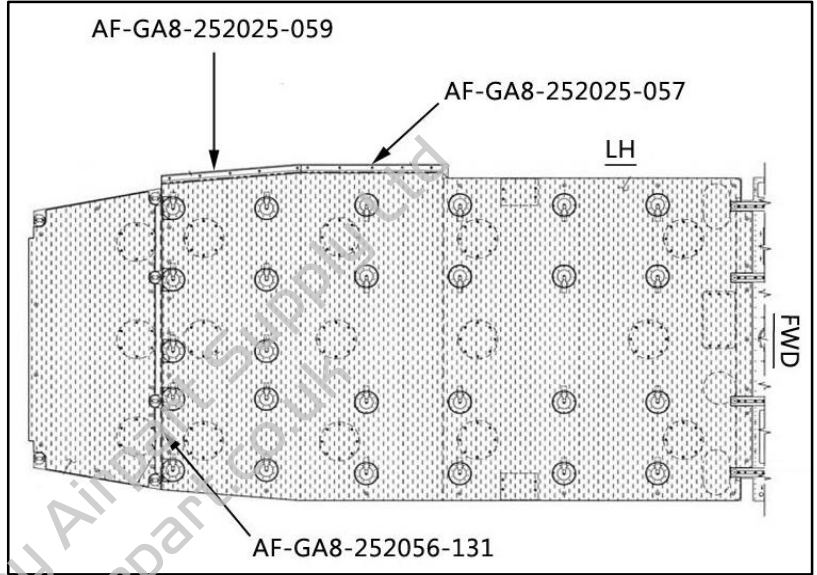
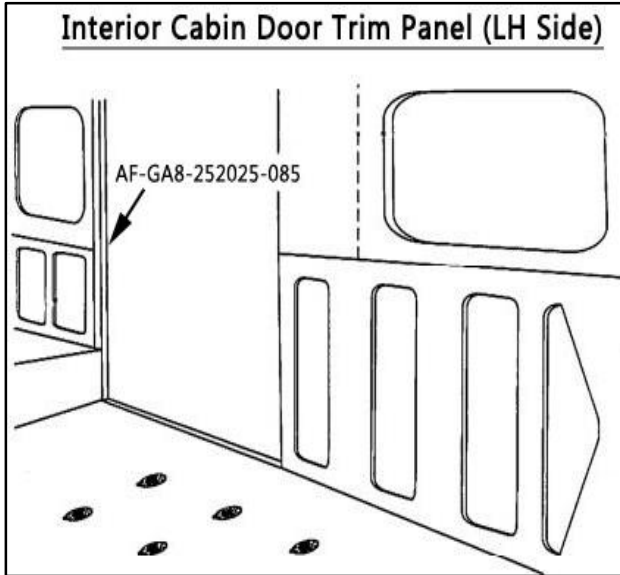


- FAA PMA Approved for most C208 & C208B/EX models
- Superior bushing material provides outstanding corrosion protection
- A fraction of the cost of OEM replacements
- Individual PMA Approved components are compatible with OEM components and are sold separately

Item	Part Number	Description	Eligibility
All	AF2606033-41-1	Complete Crew Step Ladder	All C208/208B
1	AF2606033-36	LH Bracket Assembly	All C208/208B
2	AF2606033-37	RH Bracket Assembly	All C208/208B
3	AF133-4P28	Bracket Spacers	All C208/208B
4	AF2606033-43	LH Upper Arm Assembly	All C208/208B
5	AF2606033-44	RH Upper Arm Assembly	All C208/208B
6	AF133-4P32	Arm Spacers	All C208/208B
7	AF2606033-15	Tread Only– Upper Step	S/N 0001-0308, B0001-B5425
8	AF2606033-12	Upper Step Assembly with Tread	S/N 0001-0308, B0001-B5425
9	AF2606033-2	LH Lower Arm Assembly	All C208/208B
10	AF2606033-4	RH Lower Arm Assembly	All C208/208B
11	AF2606033-10	Lower Step Assembly with Tread	S/N 0001-0308, B0001-B5425
12	AF2606033-14	Tread Only – Lower Step	S/N 0001-0308, B0001-B5425
13	AF2615055-1	Armrest	All C208/208B

GA8/GA8-TC AIRVAN CABIN TRIM

Part #	Description	Eligibility
GA8-TK1	CABIN TRIM KIT (ALL PIECES FOLLOWING)	GA8/GA8-TC 320
AF-GA8-252025-057	FORWARD CARPET RETAINER	GA8/GA8-TC 320
AF-GA8-252025-059	AFT CARPET RETAINER	GA8/GA8-TC 320
AF-GA8-252025-085	AFT CABIN DOOR TRIM	GA8/GA8-TC 320
AF-GA8-252056-131	SHELF VINYL RETAINER	GA8/GA8-TC 320



- Eligible for installation on all GA8/GA8-TC models
- Manufactured from stainless steel to replace the OEM aluminum parts for long lasting quality
- Extended parts to add protection to necessary areas
- FAA PMA Approved

GA8/GA8-TC AIRVAN GRAVEL DEFLECTORS

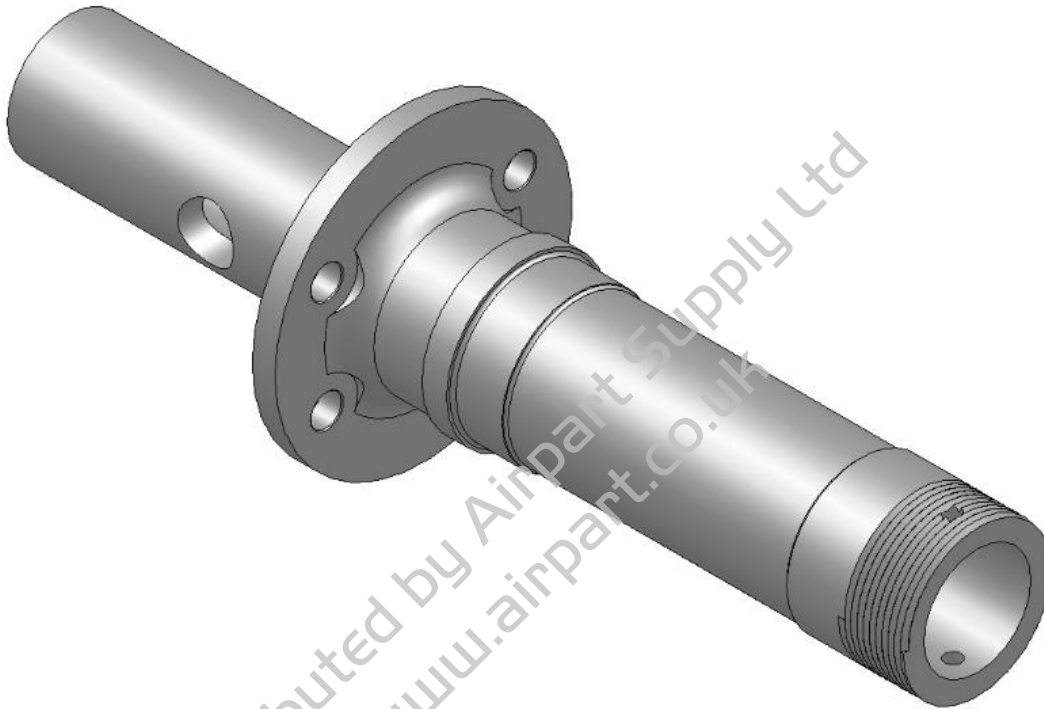
Part #	Description	Eligibility
AF32362-1	Gravel Deflector – LH Side	GA8/GA8-TC 320
AF32362-2	Gravel Deflector – RH Side	GA8/GA8-TC 320
AF32362-PAIR	Gravel Deflectors – LH & RH Side	GA8/GA8-TC 320



- Prevents “FOD” damage to empennage and lower fuselage
- High Strength Steel Frame for durability
- Powder coated to resist corrosion
- “Mudflap” made from 2-ply nylon reinforced rubber for long life
- All attachment hardware included
- No drilling required
- FAA PMA & STC Approved – STC is included free of charge with purchase of a pair of gravel deflectors

HELIO H-295 HIGH STRENGTH AXLE

Part #	Description	Eligibility
AF250-040-495	AXLE, HIGH STRENGTH	All Helio model H-295



- Airforms P/N AF250-040-495
- Direct replacement for Helio P/N 250-040-495
- Eligible for all S/N aircraft, Helio model H-295 Courier
- Airforms part is manufactured from high strength material and machined from a single billet – torque plate on original part was welded.
- Precision fit – drop in replacement for the original part
- Accommodates wheel-ski installation
- Cadmium plated for increased durability
- FAA PMA Approved

HELIO H-295 HIGH STRENGTH STABILATOR BRACKETS

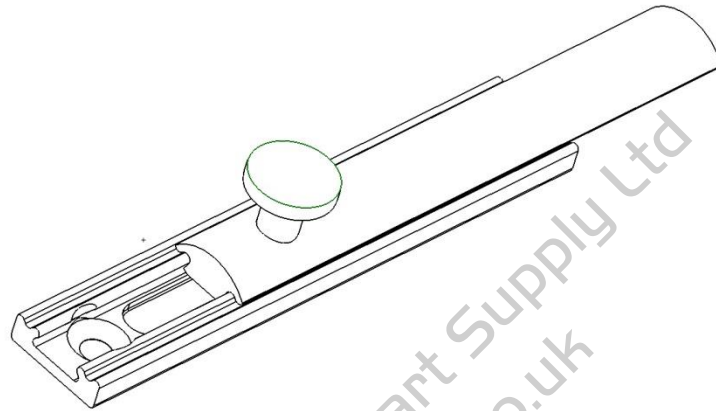
Part #	Description	Eligibility
AF391-022-401-2	HINGE, BOTTOM, LH	All Helio model H-295
AF391-022-401-3	HINGE, BOTTOM, RH	All Helio model H-295



- Airforms P/N AF391-022-401-2 (LH) and -3 (RH)
- Sold as a match-machined set
- Mounting holes match drilled to aircraft
- Direct replacement for Helio P/N 391-022-401-2 and -3
- Eligible for all S/N aircraft, Helio model H-295 Courier
- Airforms part is manufactured from high strength material and machined from a single billet – original part was of welded construction
- Precision fit – drop in replacement for the original part
- Mounting holes match drill at installation to ensure exact fit
- Cadmium plated and primed for increased durability
- FAA PMA Approved

PIPER PA-31 DOOR LATCH

Part #	Description	Eligibility
AF472-004	LATCH, CABIN DOOR	All Piper models PA-31(-310), -325, and -350

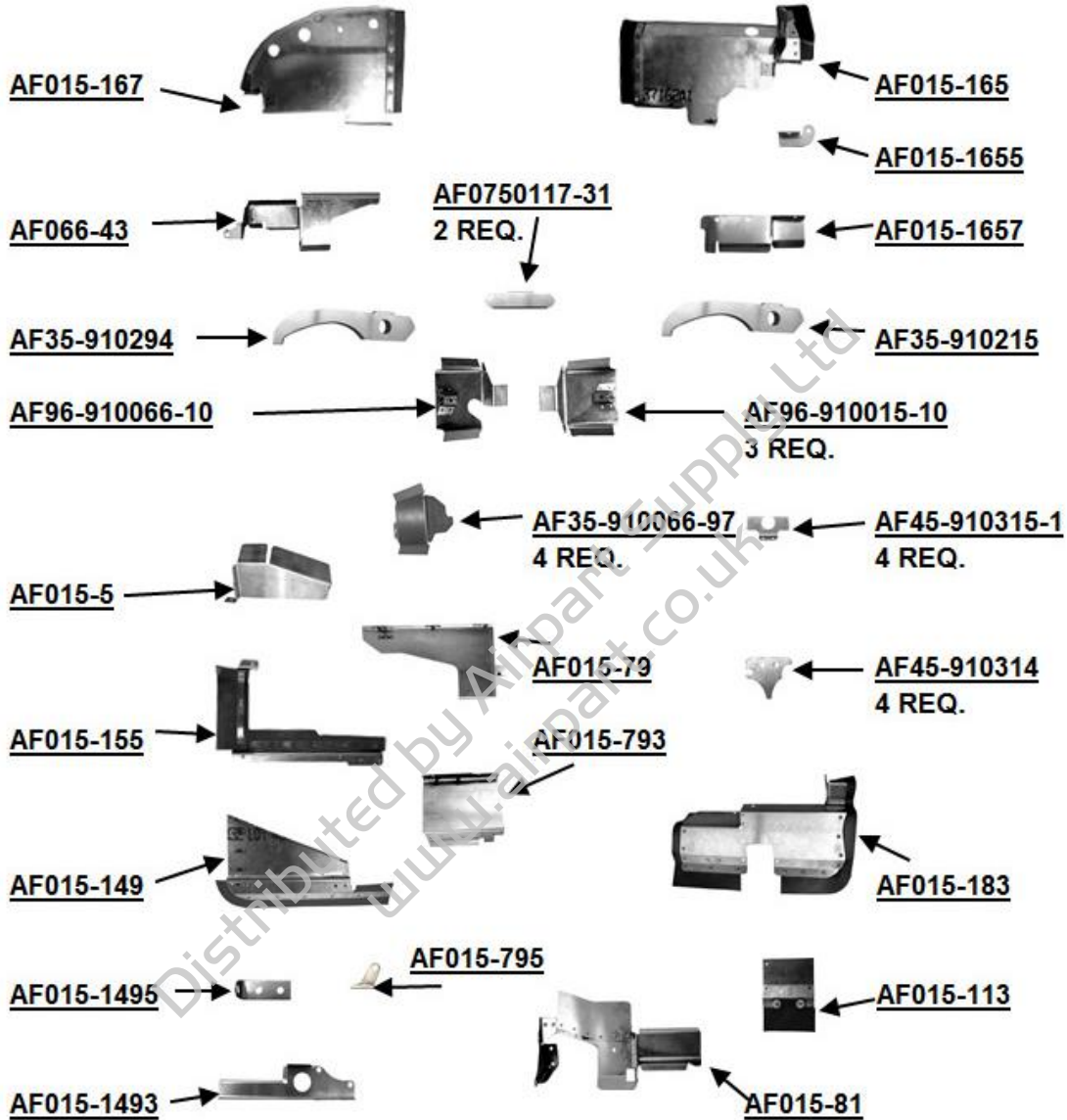


- Airforms P/N AF472-004, Door latch
- Direct replacement for Piper P/N 472-004 and 71188-02
- Eligible for all S/N aircraft, Piper model PA-31-310, -325, and -350 with standard cabin door
- Airforms part is machined from solid stainless steel using a high precision wire EDM process
- Improved strength and serviceability from original part – takes longer to wear, and does not deform after extended use
- Precision fit – drop in replacement for the original part
- FAA PMA Approved
- Ready for installation

****ELIGIBILITY INDEX FOR BAFFLES****

Model	Years	Serial Number	Model	Years	Serial Number
CESSNA MODELS			PIPER MODELS		
C120	1946-49	8310 thru 15075	PA18-150		18-3781 thru 09079, 09088, 09100, 09113
C140	1946-48	8001 thru 15075	PA22-150		22-2425 thru 7630
C140A	1949-50	15200 thru 15724	PA28-140	1964-71.5	28-20002 thru 7125471
C150	1964-77	150-60088 & on	PA28-161		28-8116176, 28-8316001 & on
	1971-77	A150-00227 & on, F150-00659 & on, FA150-00082 & on	PA28-180	1965-72.5 1972.5-75	1761 thru 7205091 7205092 thru 7505259
C152	1978-82	152-79406 thru 85594	PA28-181-2		8090001 & on (All Serial Numbers)
		A152-0735 thru 01014	PA28-181-3		28-43001 & on Excluding fuel injected engines
		F152-01429 thru 01928 FA152-0337 thru 0382	PA28R-200		28R-7235001 thru 7635545
C170A/B	1949-56	18730 & on	PA28R-201		28R-7737001 - Present
C172	1956-58	28000 thru 36965	PA28-235		28-10003 thru 7210033
C172IKLM	1968-73	172-56513 thru 61898 F172-00805 thru 01034	PA28-236		28-11001 thru 11050, 45001 & on, 28-7911001 thru 8611008
C172M	1974-76	172-61899 thru 67584	PA30		30-542 thru 1744, excluding 1717
		F172-01035 thru 01514	PA31-310		31-2 thru 822031
C172N	1977-80	172-67585 thru 74009	PA31-325		31-7512001 thru 8312019
		F172-01515 thru 02039	PA31-350		31-7305001 thru 8553002
C172P		172-74010 thru 76673	PA32-260	1965-78	32-1 & on
		F172-02040 & on	PA32-300		32-7640072 thru 7940290
C172R	1997-04	172-80001 thru 81233	PA39		39-1 thru 155
C172S	1998-04.5	172S-8001 thru 9770	PA44-180		44-7995001 & on
C172RG	1979-85	172RG-0001 thru 0817, 0891 thru 1191	BARON MODELS		
C177	1968	177-00001 thru 01164	A55	1971-73	TC-1386 thru 1607
C177	1973-74	177-01774 thru 02123	B55	1974-76	TC-1608 thru 2002
C177RGII	1975-78	177RG-0593 thru 1366, 0491	GRUMMAN MODELS		
C180	1956-81	180-32151 thru 53203	AA5A		All Serial Numbers
	1958-73	182-34754 thru 62465	AA5B		All Serial Numbers
C182	1974-86	182-62466 thru 68615	MOONEY MODELS		
		F182-00001 thru 00169	M20J		All Serial Numbers
C185	1961-85	All Serial Numbers			
C206	1964	206-0001 thru 0275			
CP206	1965-70	P206-0001 thru 00647			
CU206	1965-71.5	206-0276 thru 01604, 01619 thru 01632			
	1974-86	U206-02200 thru 07020			
C207	1969-75	206-00001 thru 00268			
C210	1970-73	59200 thru 60089			
	1976-80	61040 thru 64135			
C402C	1979-85	All Serial Numbers			
C414A	1978-85	All Serial Numbers			

FAA PMA ENGINE BAFFLES FOR BEECHCRAFT AIRCRAFT
Beechcraft Baron 95-55, 95-A55, 95-B55



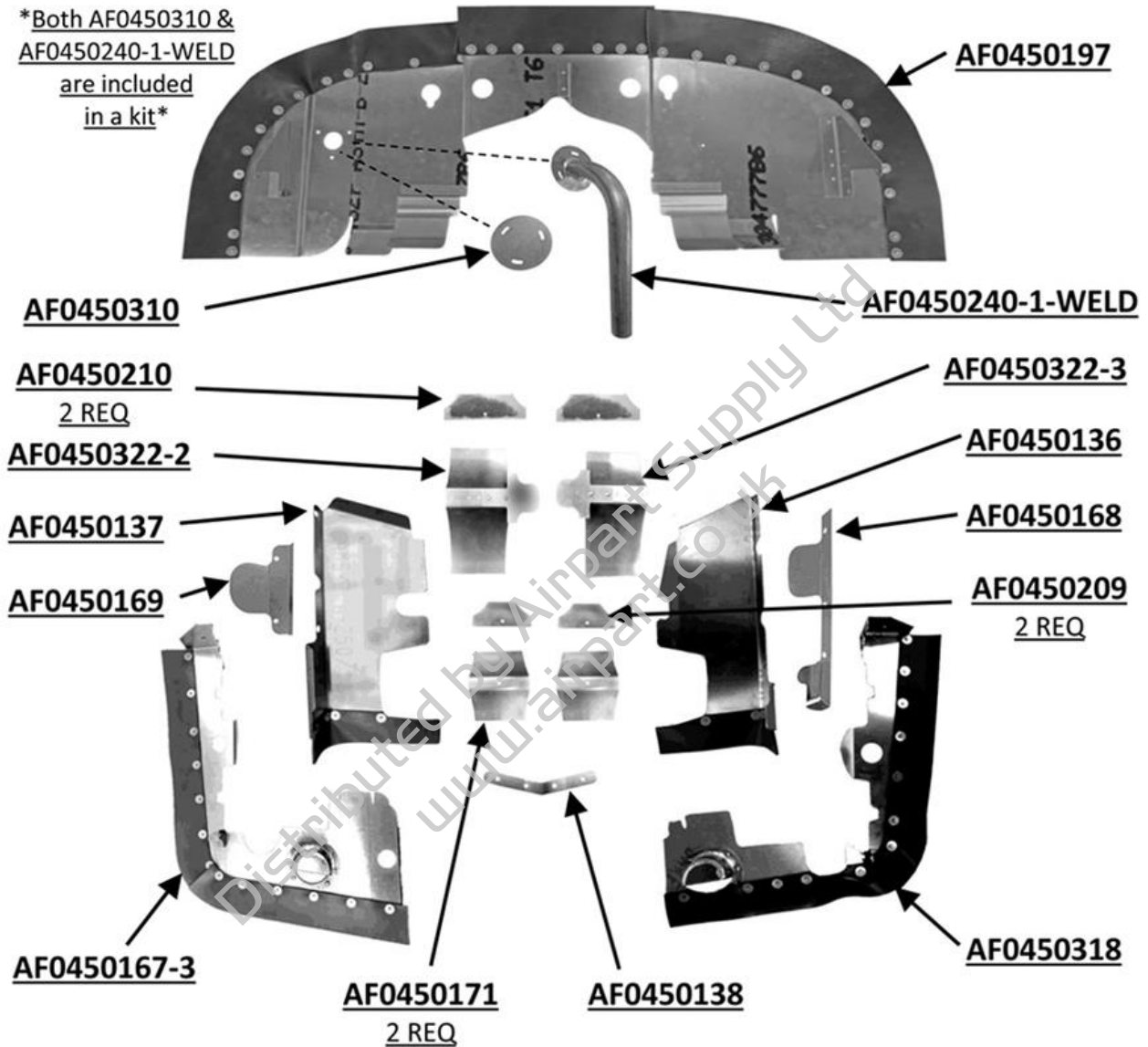
Not all repetitive parts are shown

ELIGIBILITY: A55 1971-1973 S/N TC-1386 thru 1607 B55 1974-1976 S/N TC-1608 thru 2002	
Kit Part Number	Description
B9555-BRBK	Baron B95 55 A/B Baffle Set - Bare Metal with Black Seal, Includes Cowling Seals
B9555-PCBK	Baron B95 55 A/B Baffle Set - Powder Coated with Black Seal, Includes Cowling Seals
SEALKIT-B9555-BK	Baron B95 55 A/B Black Seal Kit with Cowling Seals (Airforms' Replacements)

[Orange and blue seals are available at an additional cost.]

**FAA PMA ENGINE Baffles for Cessna Aircraft
 CESSNA 120/140**

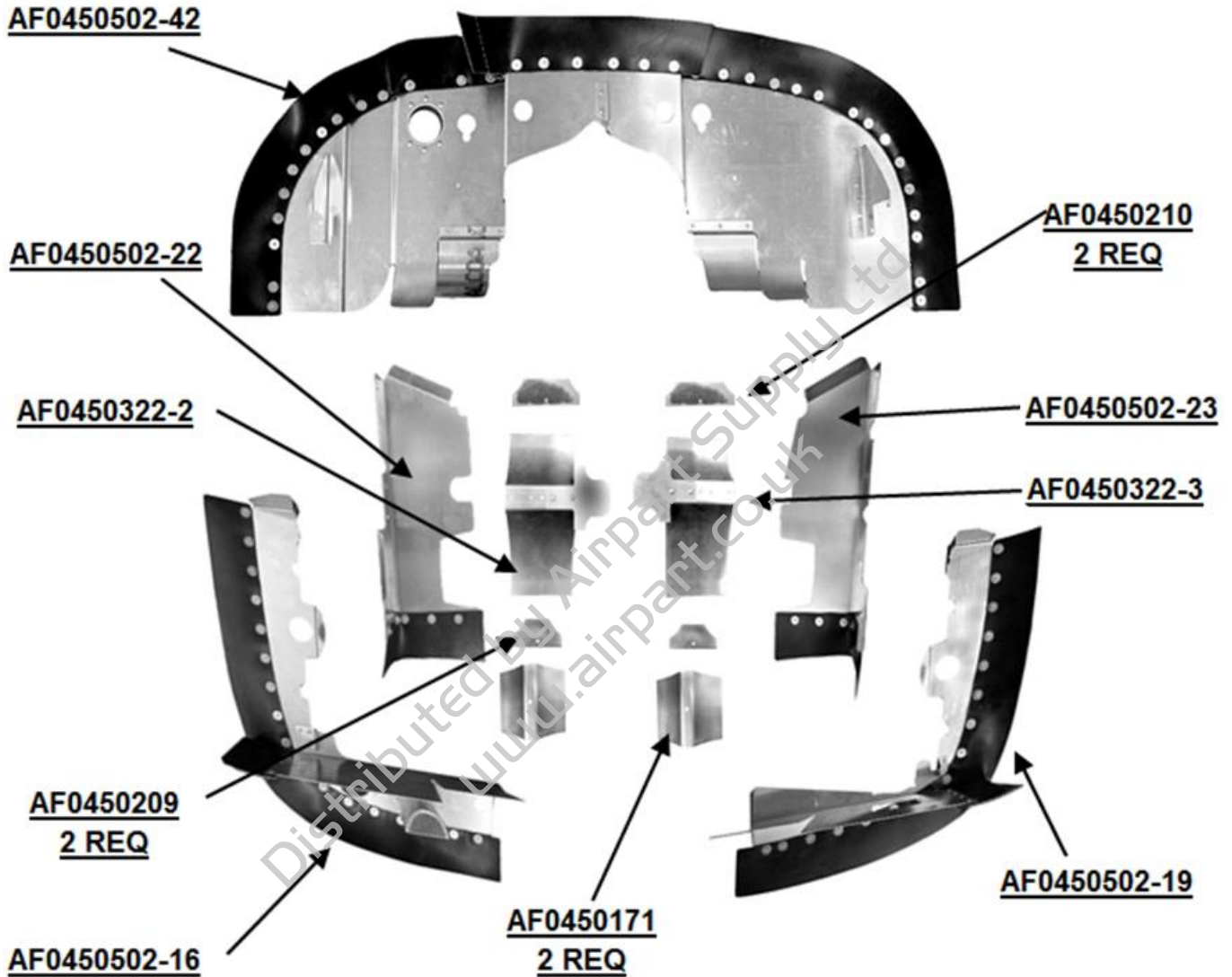
*Both AF0450310 &
 AF0450240-1-WELD
 are included
 in a kit*



Eligibility: C-120 1946-49 S/N 8310 thru 15075, C-140 1946-48 S/N: 8001 thru 15075, C-140A 1949-50 S/N: 15200 thru 15724	
Kit Part Number	Description
C120140-BRBK	Cessna 120/140 Baffle Set - Bare Metal with Black Seals
C120140-PCBK	Cessna 120/140 Baffle Set - Powder Coated with Black Seals
SEALKIT-C120140-BK	Cessna 120/140 Black Seal Kit

[Orange and blue seals are available at an additional cost.]

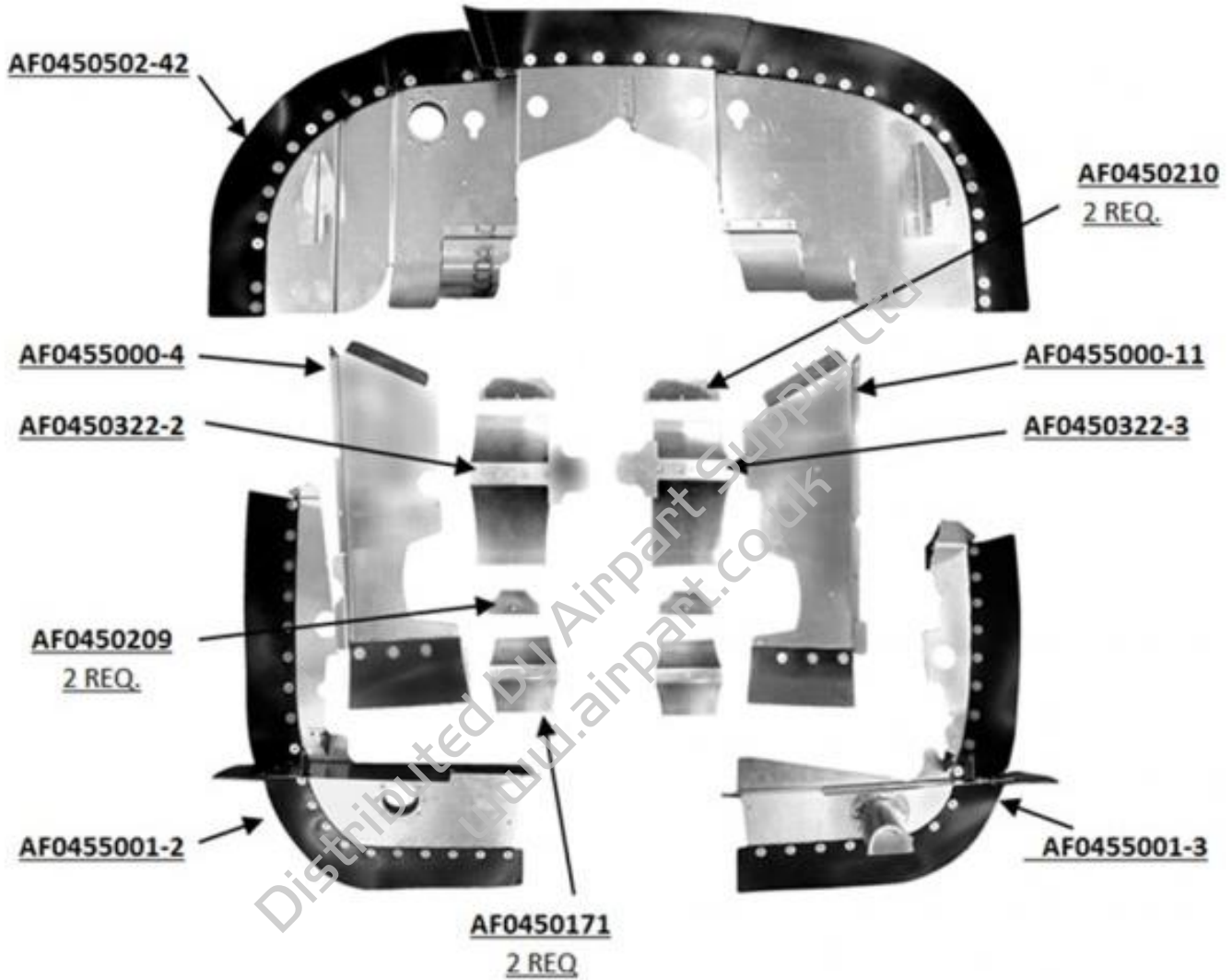
**FAA PMA ENGINE Baffles for Cessna Aircraft
 CESSNA 150 (1964-1970)**



Eligibility: 150 S/N 150-60088 thru 72003	
Kit Part Number	Description
C150-6470BRBK	1964-70 C150 Baffle Set - Bare Metal with Black Seal
C150-6470PCBK	1964-70 C150 Baffle Set - Powder Coated with Black Seal
SEALKIT-C150-6470-BK	1964-70 C150 Black Seal Kit (Airforms' seal replacements)

[Orange and blue seals are available at an additional cost.]

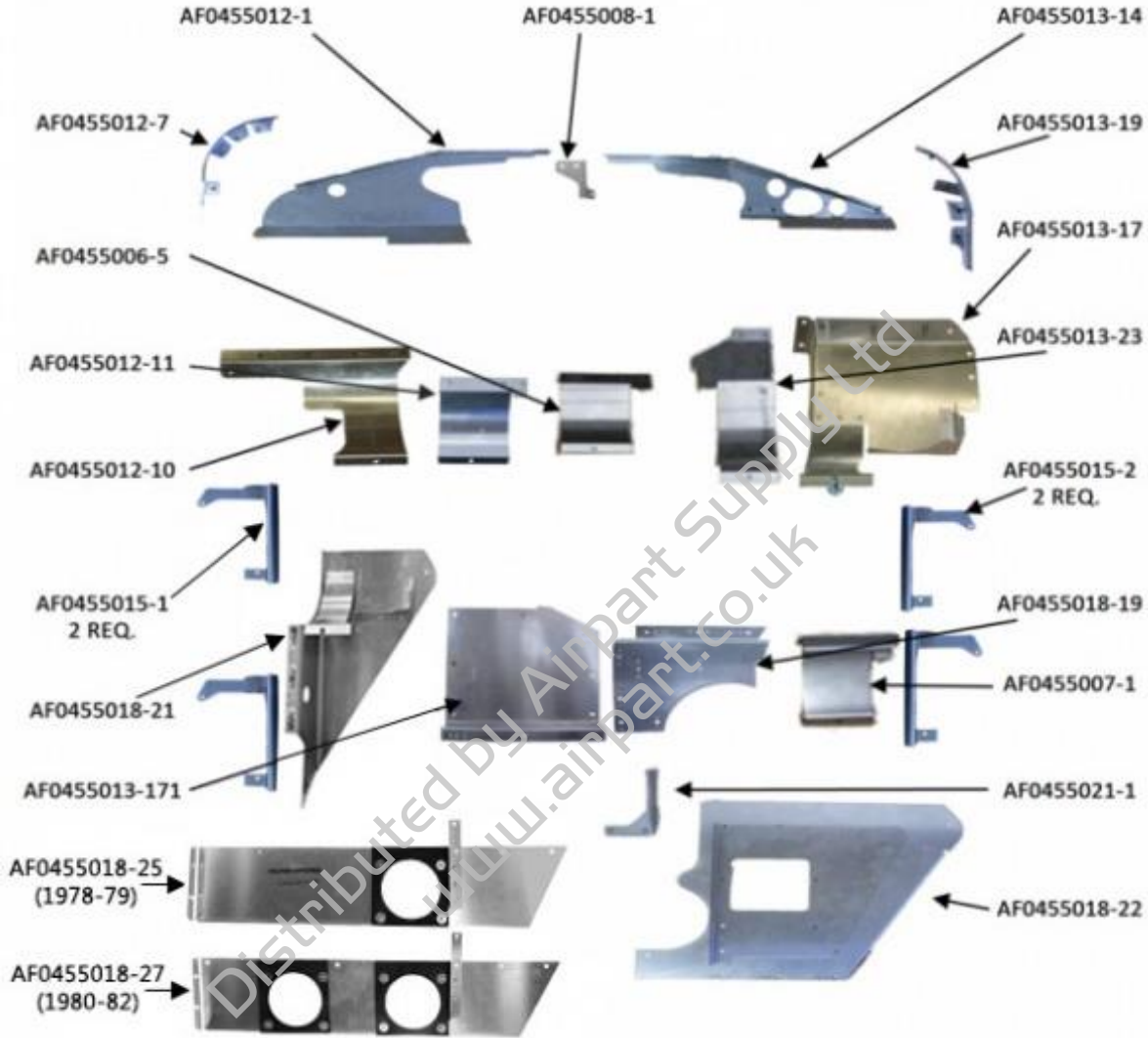
**FAA PMA ENGINE Baffles for CESSNA AIRCRAFT
 CESSNA 150 (1971-1977)**



Eligibility: 150 S/N 150-72004 & on, A150-00227 & on, F150-00659 & on, FA150-00082 & on	
Kit Part Number	Description
C150-7177BRBK	1971-77 C150 Baffle Set - Bare Metal with Black Seal
C150-7177PCBK	1971-77 C150 Baffle Set - Powder Coated with Black Seal
SEALKIT-C150-7177-BK	1971-77 C150 Black Seal Kit (Airforms' replacements)

[Orange and blue seals are available at an additional cost.]

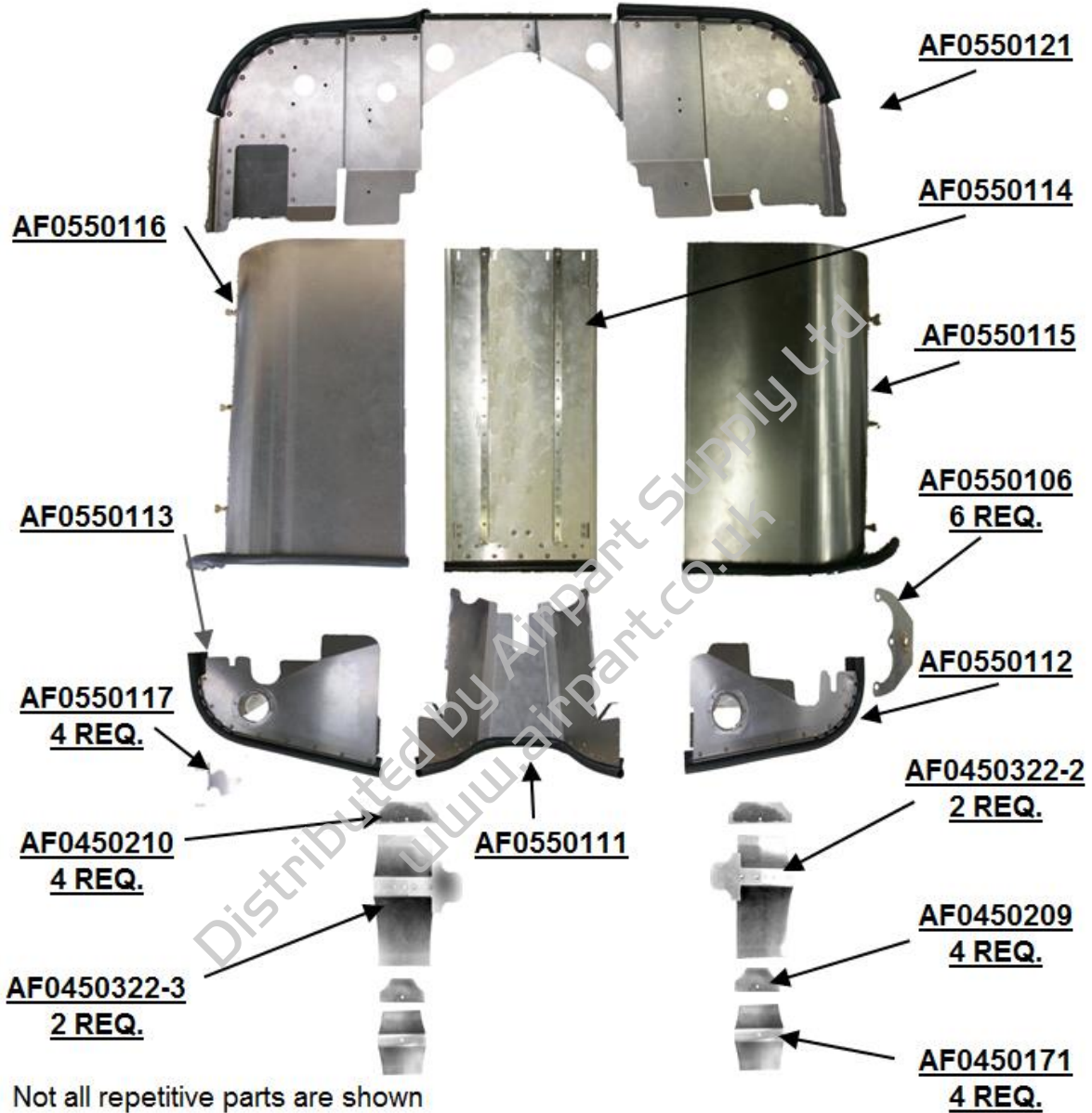
**FAA PMA ENGINE Baffles for Cessna Aircraft
 CESSNA 152 (1978-1982)**



Eligibility: 1978-1979	
S/N 152-79406 thru 83591, A152-0735 thru 0878, F152-01429 thru 01673, FA152-0337 thru 0357	
Eligibility: 1980-82	
S/N 152-83592 thru 85594, A152-0879 thru 1014, F152-01674 thru 01928, FA152-0358 thru 0382	
Kit Part Number	Description
C152-7879BRBK	1978-79 C152 Baffle Set - Bare Metal with Black Seal, Includes Cowling Seals
C152-7879PCBK	1978-79 C152 Baffle Set - Powder Coated with Black Seal, Includes Cowling Seals
SEALKIT-C152-7879-BK	1978-79 C152 Black Seal Kit - Includes Cowling Seals (Airforms' Replacements)
C152-8082BRBK	1980-82 C152 Baffle Set - Bare Metal with Black Seal, Includes Cowling Seals
C152-8082PCBK	1980-82 C152 Baffle Set - Powder Coated with Black Seal, Includes Cowling Seals
SEALKIT-C152-8082-BK	1980-82 C152 Black Seal Kit - Includes Cowling Seals (Airforms' Replacements)

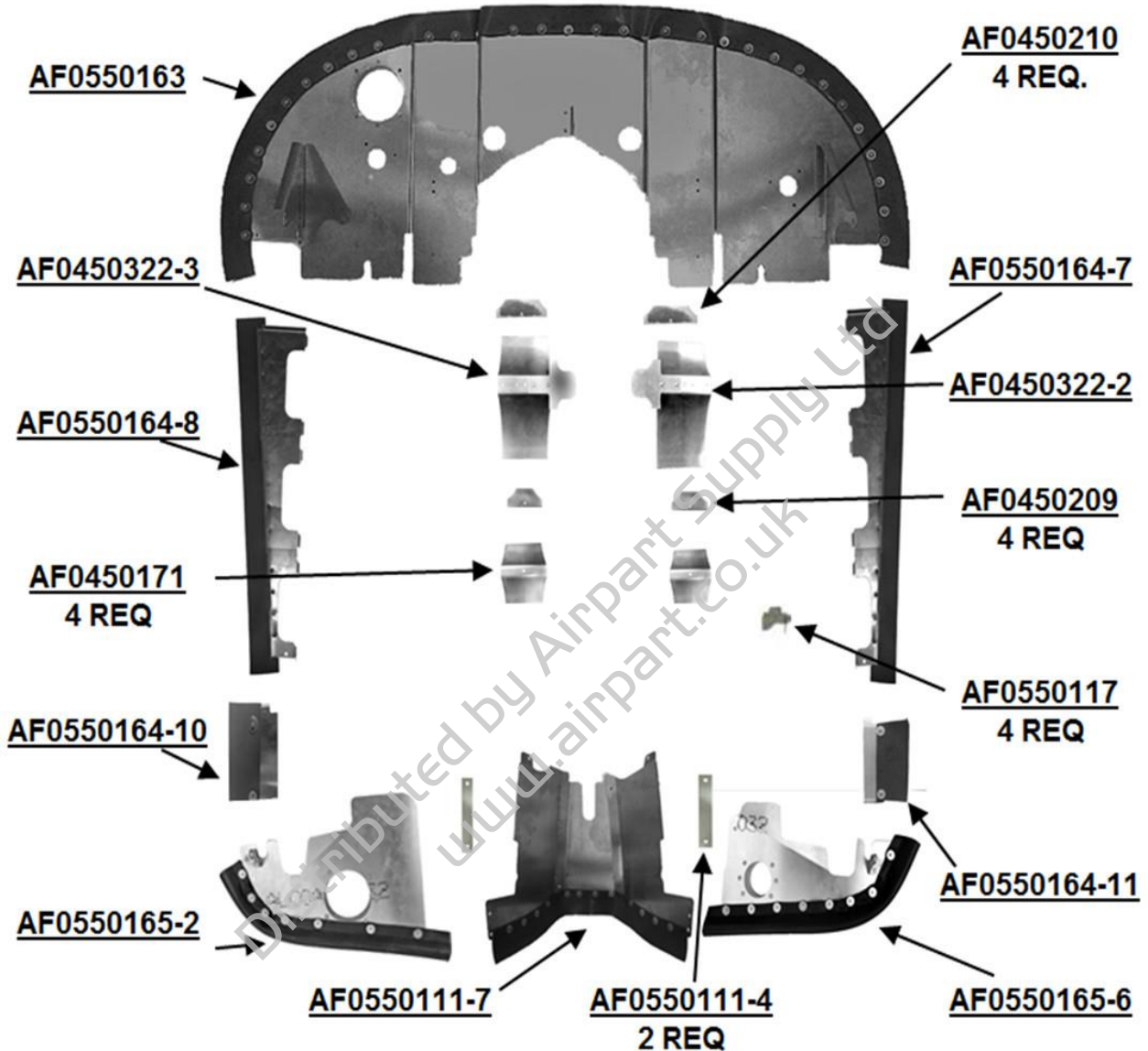
[Orange and blue seals are available at an additional cost.]

**FAA PMA ENGINE Baffles for Cessna Aircraft
 CESSNA 170A / B (1949 – 1952)**



Eligibility: 170A S/N 18730 THRU 20266, 170B S/N 20267 thru 25372	
Kit Part Number	Description
C170A-4952BRPS	1949-52 C170A/B Baffle Set - Bare Metal with P-Seal
C170A-4952PCPS	1949-52 C170A/B Powder Coated with P-Seal
SEALKIT-C170A-4952-PS	1949-52 C170A/B P-Seal Kit (Black only) (Airforms' replacements)

**FAA PMA ENGINE Baffles for Cessna Aircraft
 CESSNA 170B (1953-56) – 172 (1956-58)**

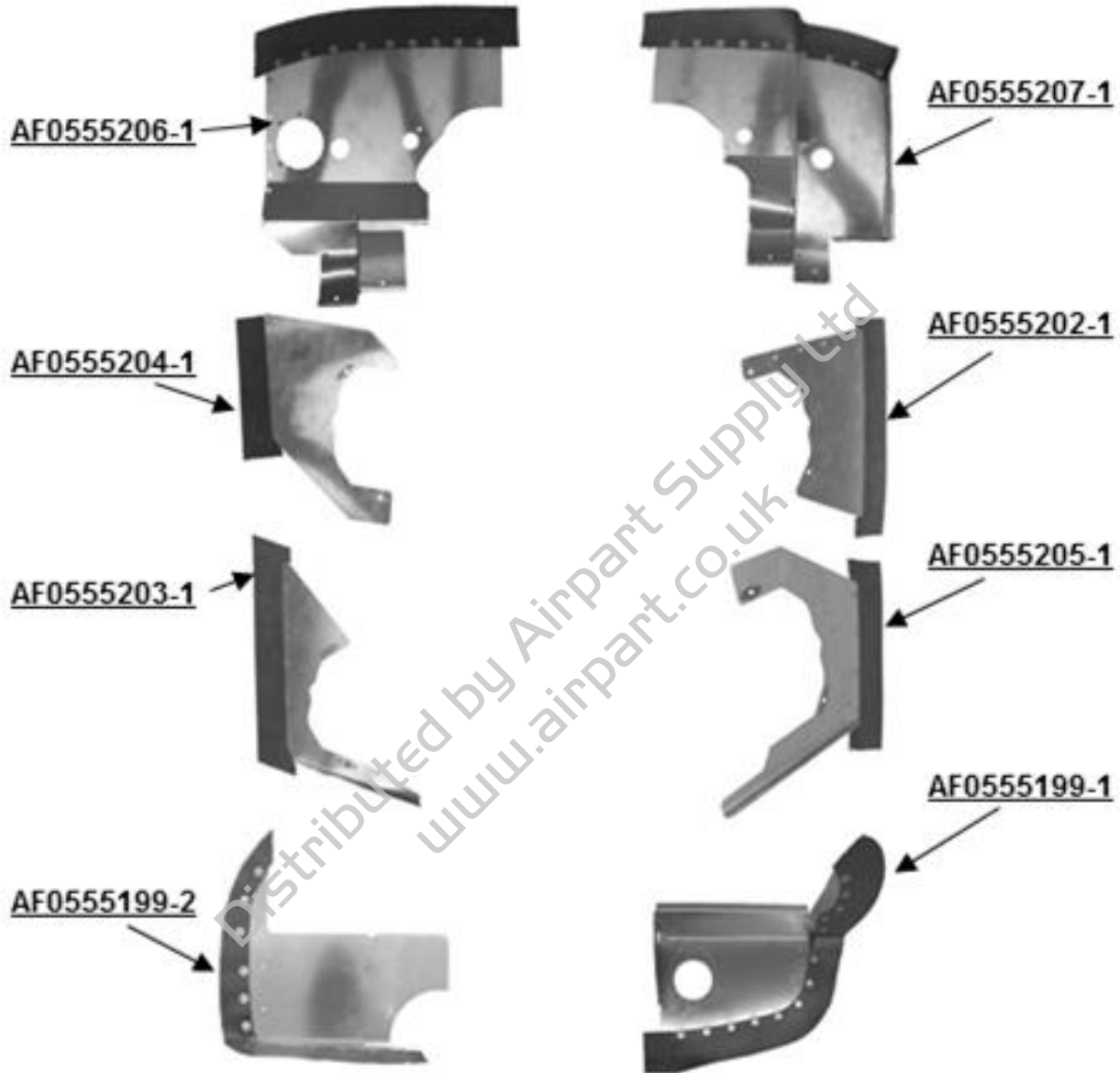


Not all repetitive parts are shown

Eligibility: 170B (1953-56) S/N 25373 & on 172 (1956-58) S/N 28000 thru 36965	
Kit Part Number	Description
C170B172-BRBK	C170B (53-56) & C172 (56-58) Baffle Set - Bare Metal with Black Seal
C172B172-PCBK	C170B (53-56) & C172 (56-58) Baffle Set - Powder Coated with Black Seal
SEALKIT-C172B172-BK	C170B (53-56) & C172 (56-58) Black Seal Kit (Airforms' Replacements)

[Orange and blue seals are available at an additional cost.]

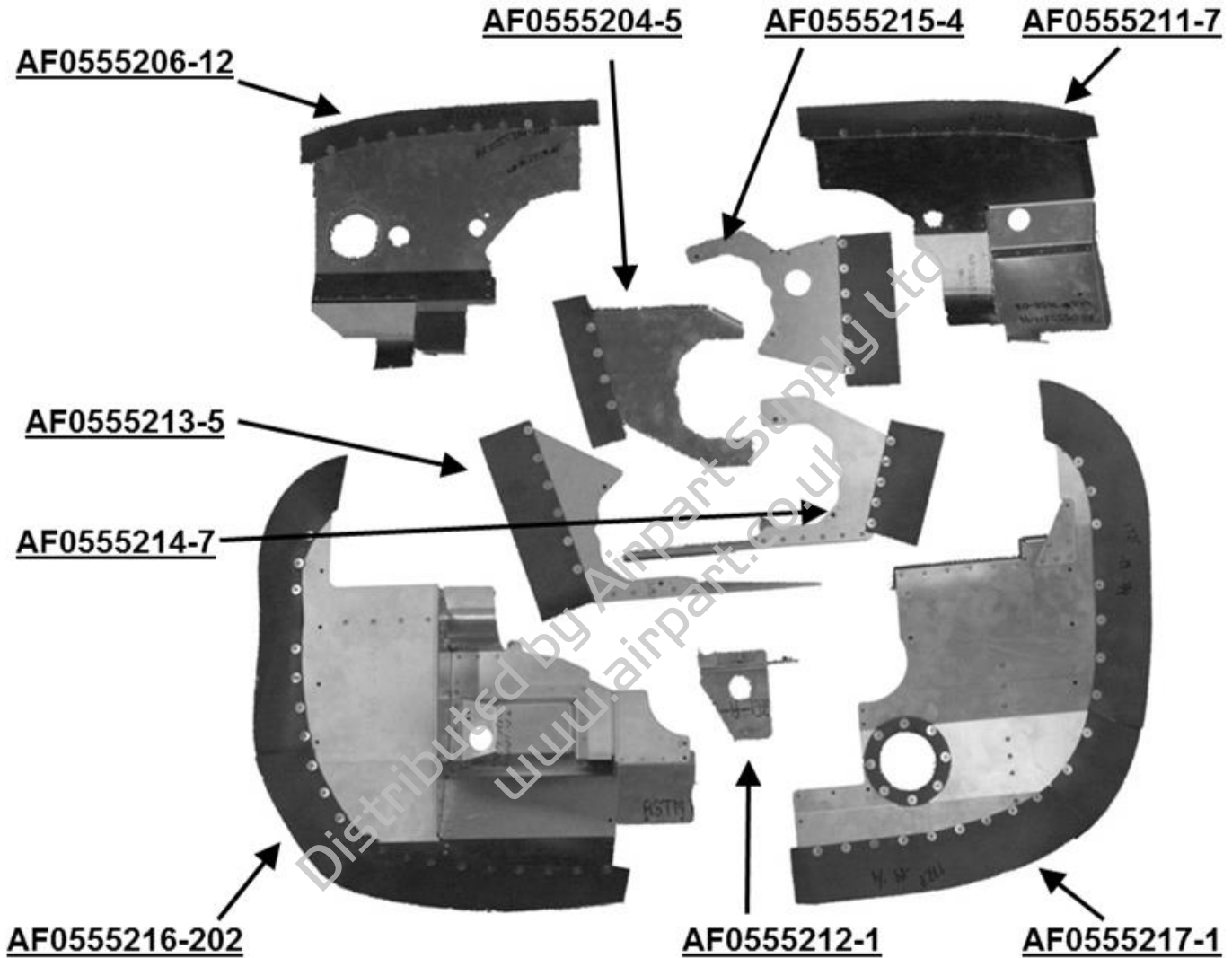
**FAA PMA ENGINE Baffles for Cessna Aircraft
 CESSNA 172 I, K, L (1968-1972) Early M (1973)**



Eligibility: 172 S/N 172-56513 thru 61898 F172 S/N F172-00805 thru 01034	
Kit Part Number	Description
C172IKL68-M73-BRBK	1968-73 C172IKLM Baffle Set - Bare Metal with Black Seal
C172IKL68-M73-PCBK	1968-73 C172IKLM Baffle Set - Powder Coated with Black Seal
SEALKIT-C172IKL68-M73-BK	1968-73 C172IKLM Black Seal Kit (Airforms' Replacements)

[Orange and blue seals are available at an additional cost.]

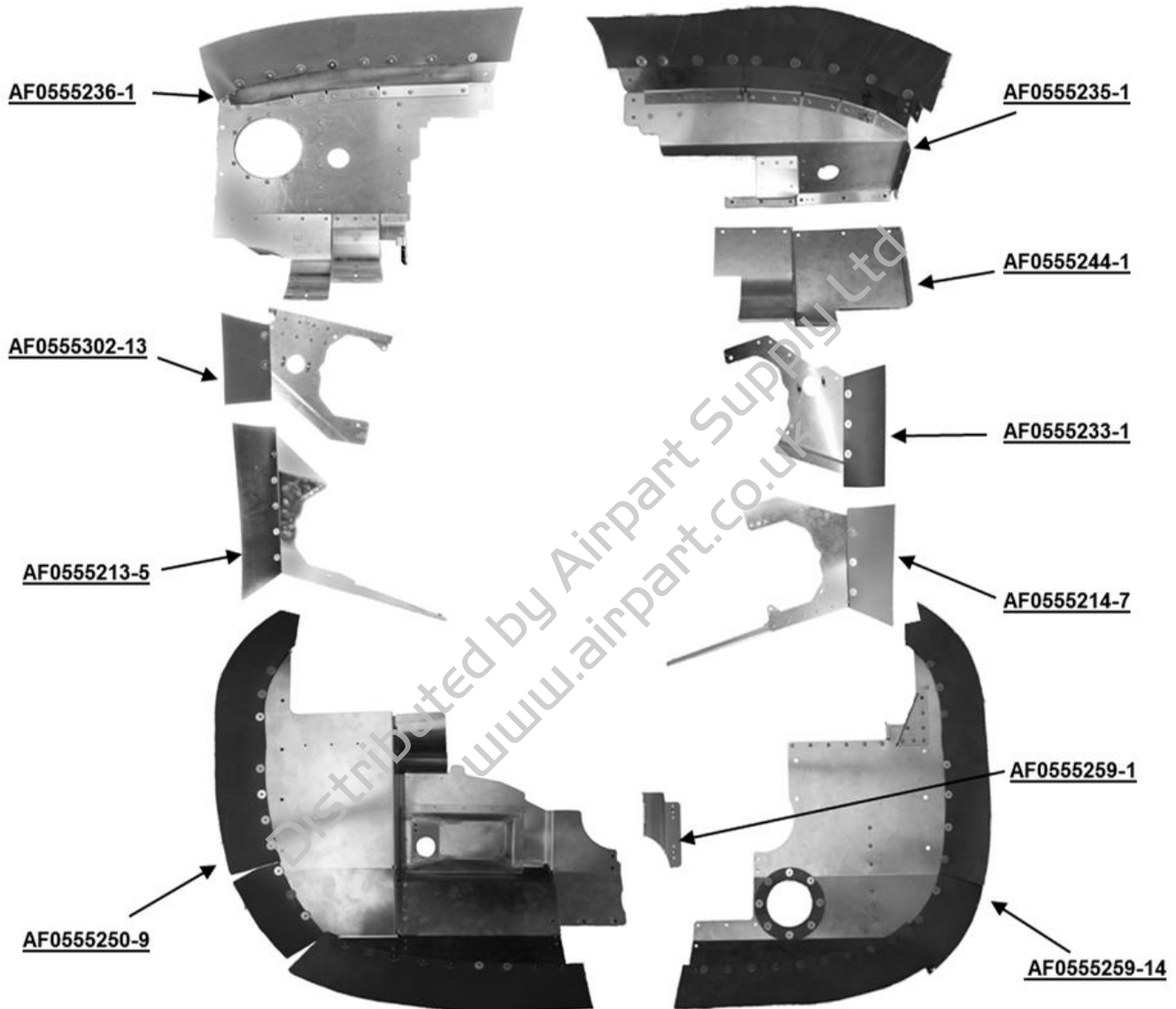
**FAA PMA ENGINE Baffles for Cessna Aircraft
 CESSNA 172M (1974-1976)**



Eligibility: 172M S/N 172-61899 thru 67584, F172M S/N F172-01035 thru 01514	
Kit Part Number	Description
C172M-7476BRBK	1974-76 C172M Baffle Set - Bare Metal with Black Seal
C172M-7476PCBK	1974-76 C172M Baffle Set - Powder Coated with Black Seal
SEALKIT-C172M-7476-BK	1974-76 C172M Black Seal Kit (Airforms' Replacements)

[Orange and blue seals are available at an additional cost.]

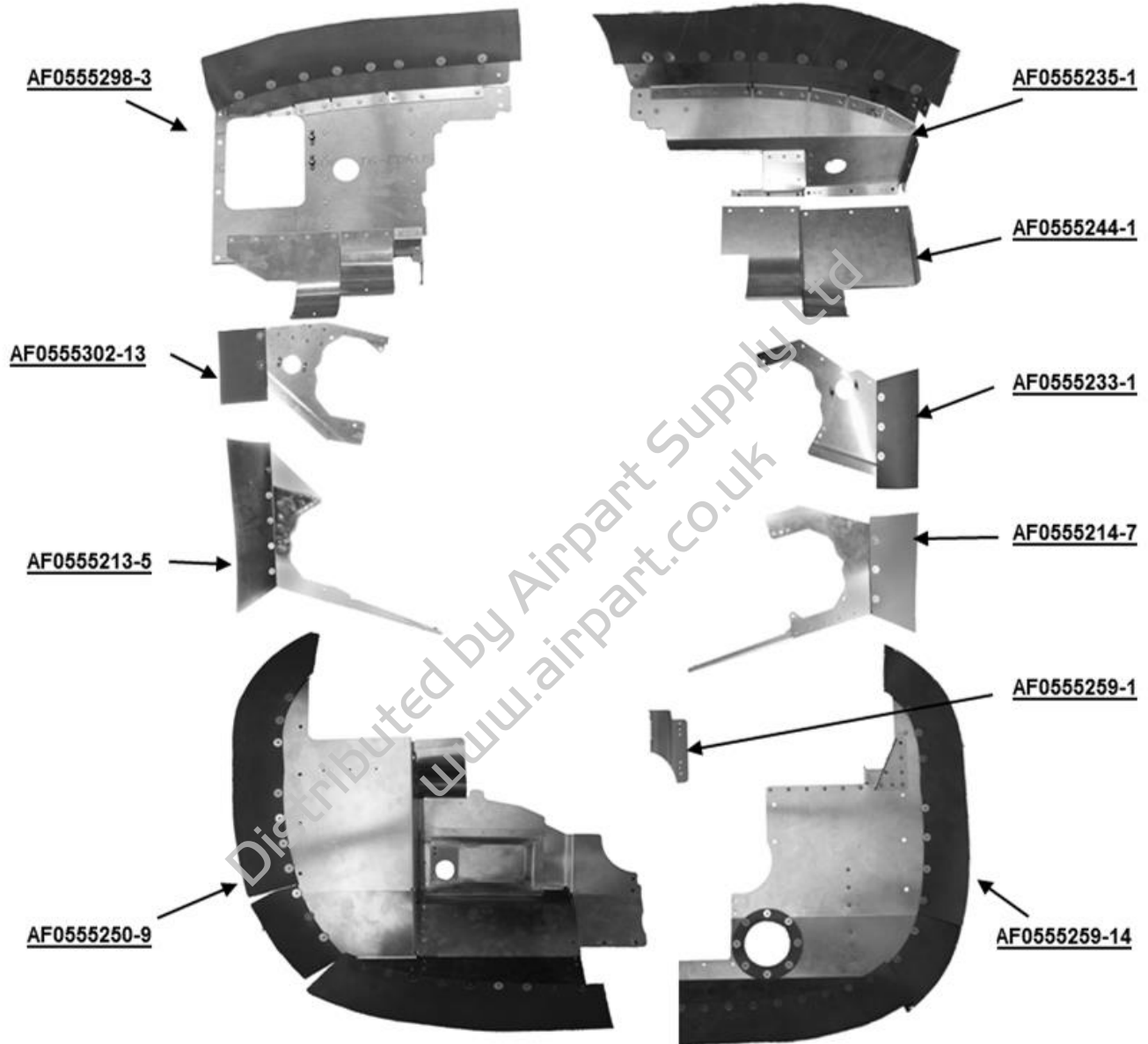
**FAA PMA ENGINE Baffles for Cessna Aircraft
 CESSNA 172N 1977 - 1979.5**



Eligibility: 172N S/N 172-67585 thru 71953, F172N S/N F17201515 thru F17201909	
Kit Part Number	Description
C172N-77795BRBK	1977-79.5 C172N Baffle Set - Bare Metal with Black Seal
C172N-77795PCBK	1977-79.5 C172N Baffle Set - Powder Coated with Black Seal
SEALKIT-C172N-BK	1977-80 C172N Black Seal Kit (Airforms' Replacements)

[Orange and blue seals are available at an additional cost.]

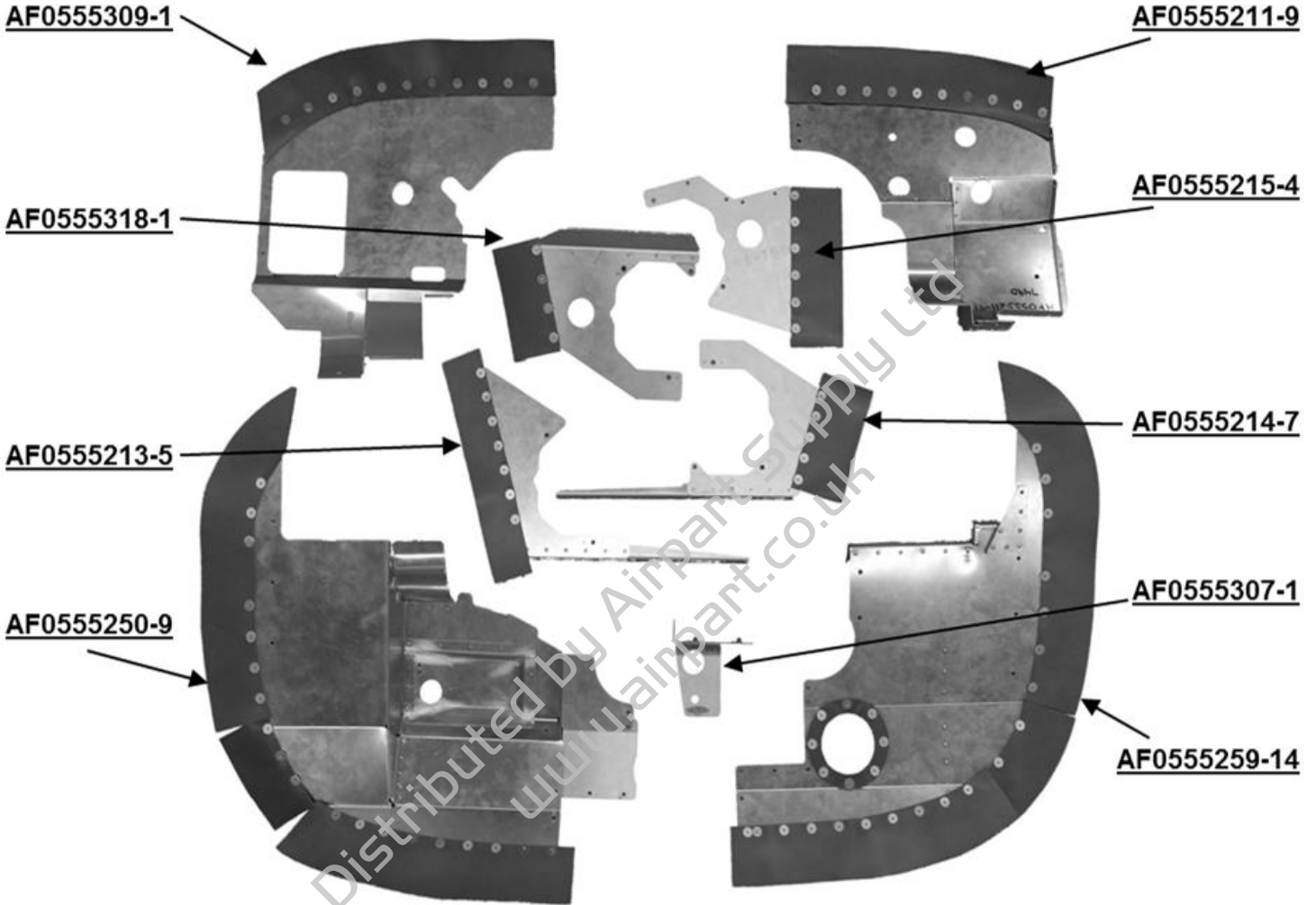
**FAA PMA ENGINE Baffles for Cessna Aircraft
 CESSNA 172N (1979.5 – 1980)**



Eligibility: 172N S/N 172-71954 thru 74009, F172N S/N F172-01910 thru 02039	
Kit Part Number	Description
C172N-79580BRBK	1979.5-80 C172N Baffle Set - Bare Metal with Black Seal
C172N-79580PCBK	1979.5-80 C172N Baffle Set - Powder Coated with Black Seal
SEALKIT-C172N-BK	1977-80 C172N Black Seal Kit (Airforms' Replacements)

[Orange and blue seals are available at an additional cost.]

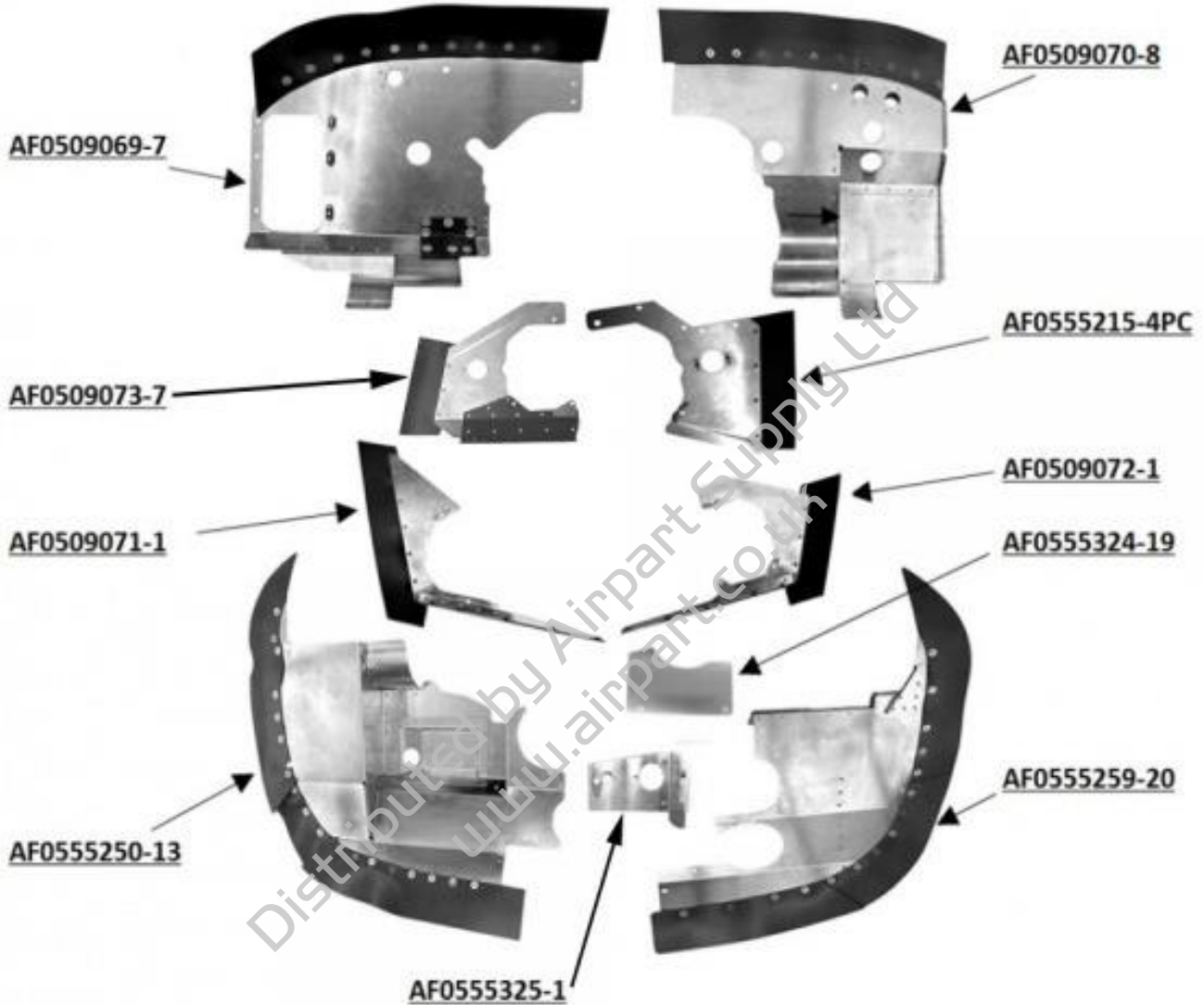
**FAA PMA ENGINE Baffles for Cessna Aircraft
 CESSNA 172P**



Eligibility: 172P S/N 172-74010 thru 76673, F172P S/N F172-02040 & on	
Kit Part Number	Description
C172P-BRBK	C172P Baffle Set - Bare Metal with Black Seal
C172P-PCBK	C172P Baffle Set - Powder Coated with Black Seal
SEALKIT-C172P-BK	C172P Black Seal Kit (Airforms' Replacements)

[Orange and blue seals are available at an additional cost.]

**FAA PMA ENGINE Baffles for CESSNA AIRCRAFT
 CESSNA 172R (1997-1998)**

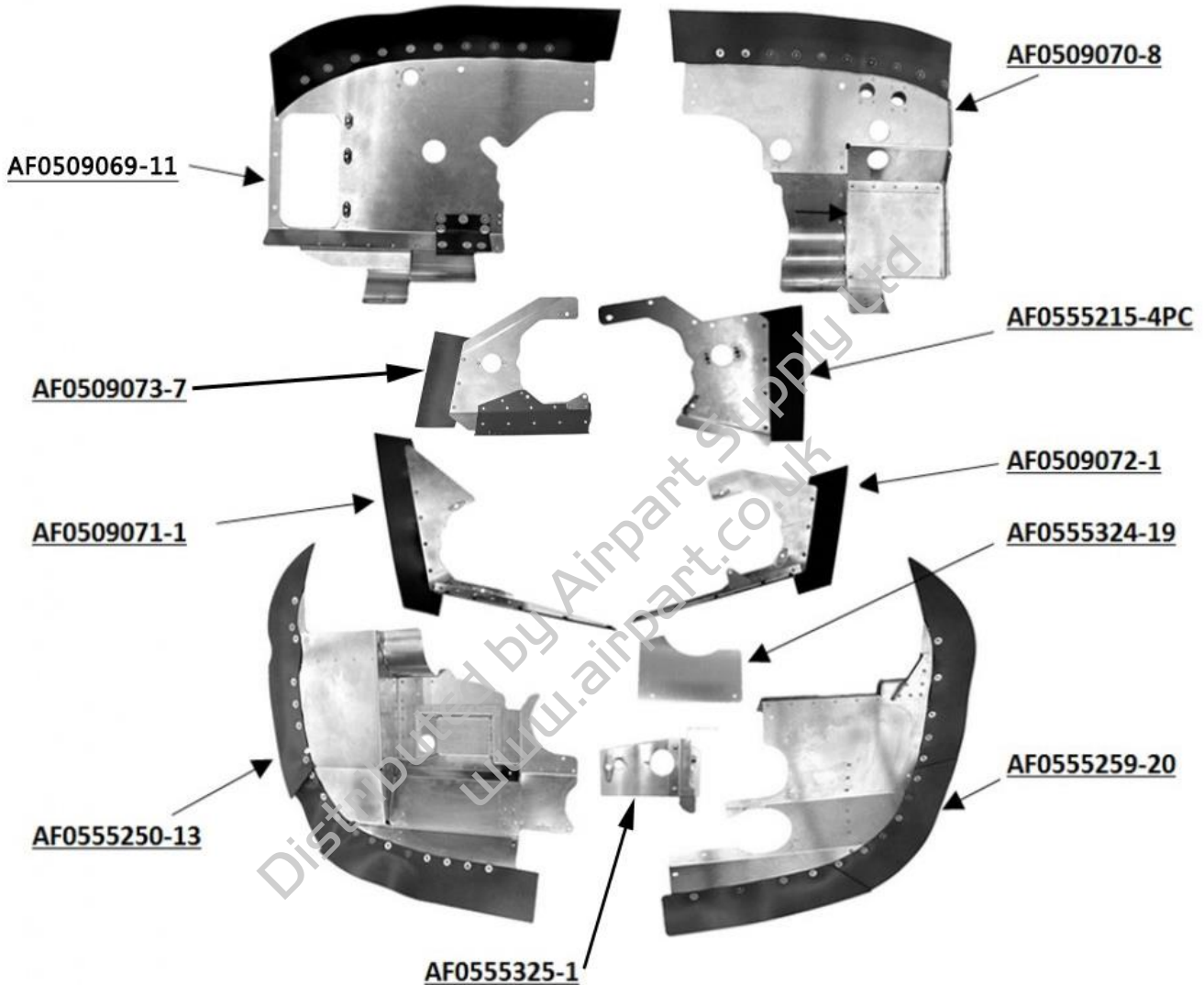


NOTE: Powder Coated Gray (only) to match original baffles.

Eligibility: 172R 1997-1998 S/N 172-80001 thru 80697	
Kit Part Number	Description
C172R-9798PCBK	1997-98 C172R Baffle Set - Powder Coated with Black Seal
SEALKIT-C172RS-BK	1997-04.5 C172R&S Black Seal Kit (Airforms' Replacements)

[Orange and blue seals are available at an additional cost.]

**FAA PMA ENGINE Baffles for Cessna Aircraft
 CESSNA 172R (1999-2004)**

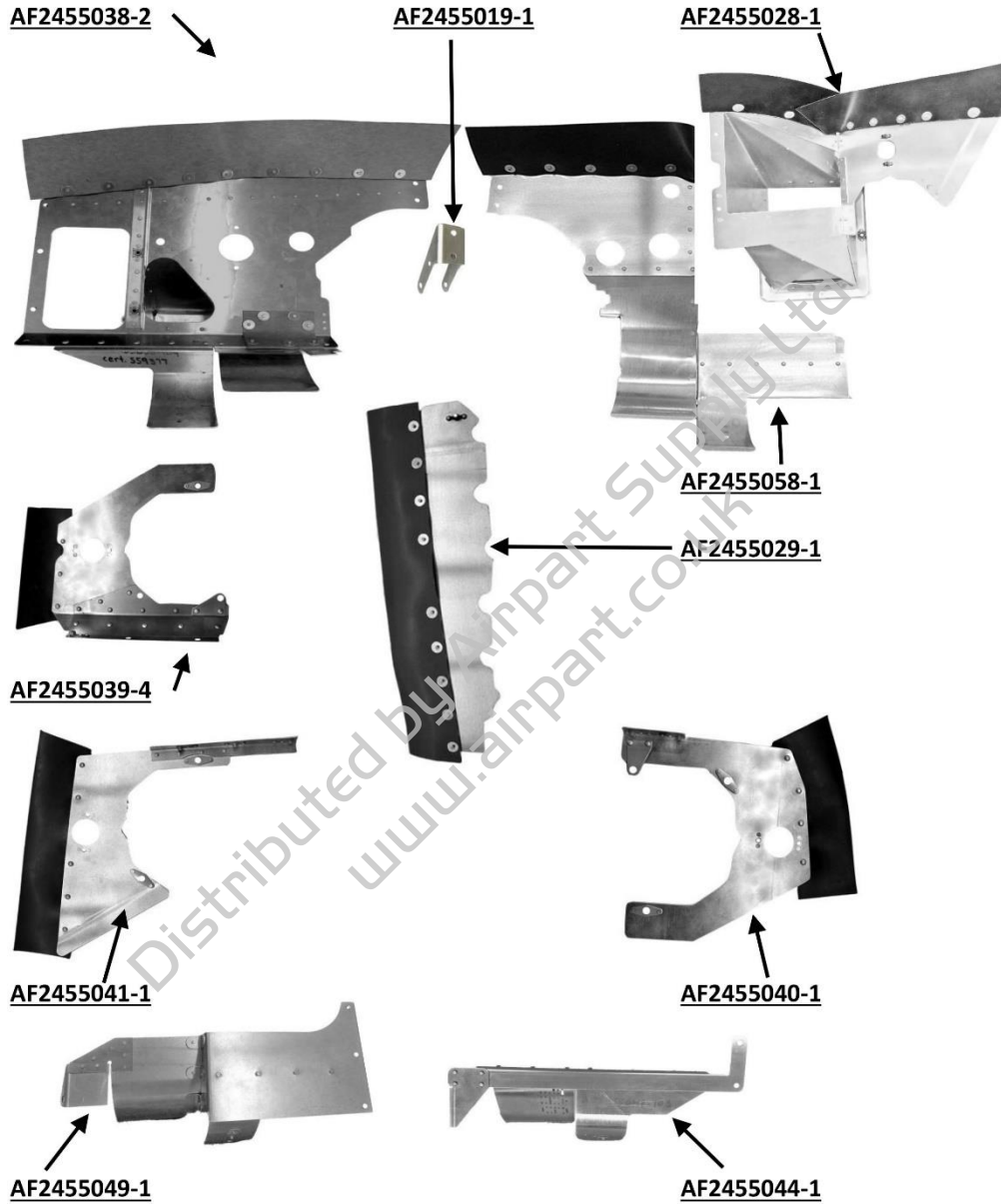


NOTE: Powder Coated Gray (only) to match original baffles.

Eligibility: 172R 1999-2004 S/N 172-80698 thru 81233	
Kit Part Number	Description
C172R-9904PCBK	1999-04 C172R Baffle Set - Powder Coated with Black Seal
SEALKIT-C172RS-BK	1997-04.5 C172R&S Black Seal Kit (Airforms' Replacements)

[Orange and blue seals are available at an additional cost.]

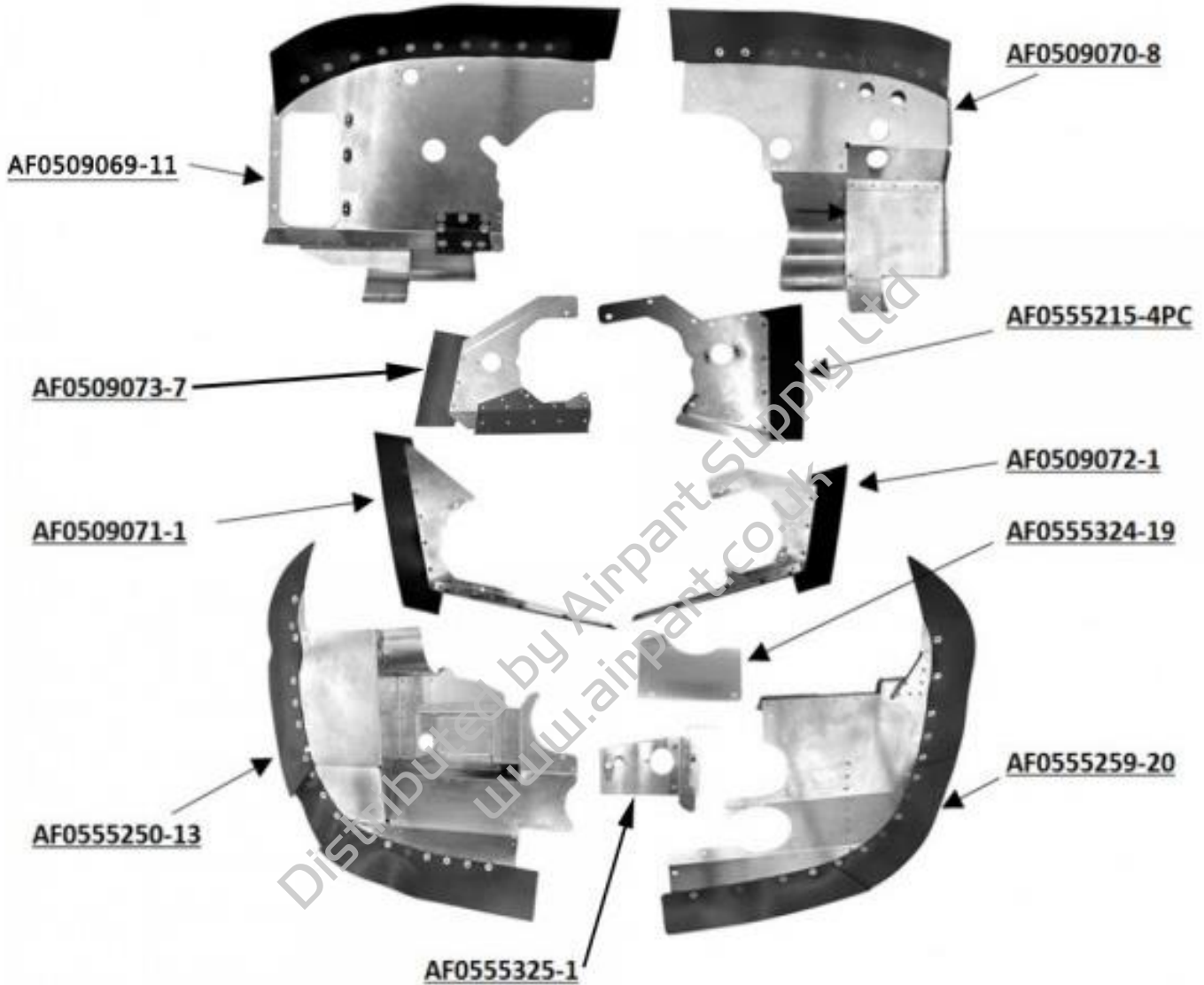
**FAA PMA ENGINE Baffles for CESSNA AIRCRAFT
 CESSNA 172RG (1979-1985)**



Eligibility: S/N 172RG-0001 thru 0817, 172RG-0891 thru 1191	
Kit Part Number	Description
C172RG-BRBK	1979-85 C172RG Baffle Set - Bare Metal with Black Seal
C172RG-PCBK	1979-85 C172RG Baffle Set - Powder Coated with Black Seal
SEALKIT-C172RG-BK	1979-85 C172RG Black Seal Kit (Airforms' Replacements)

[Orange and blue seals are available at an additional cost.]

**FAA PMA ENGINE Baffles for Cessna Aircraft
 CESSNA 172S (1998 – 2004.5)**

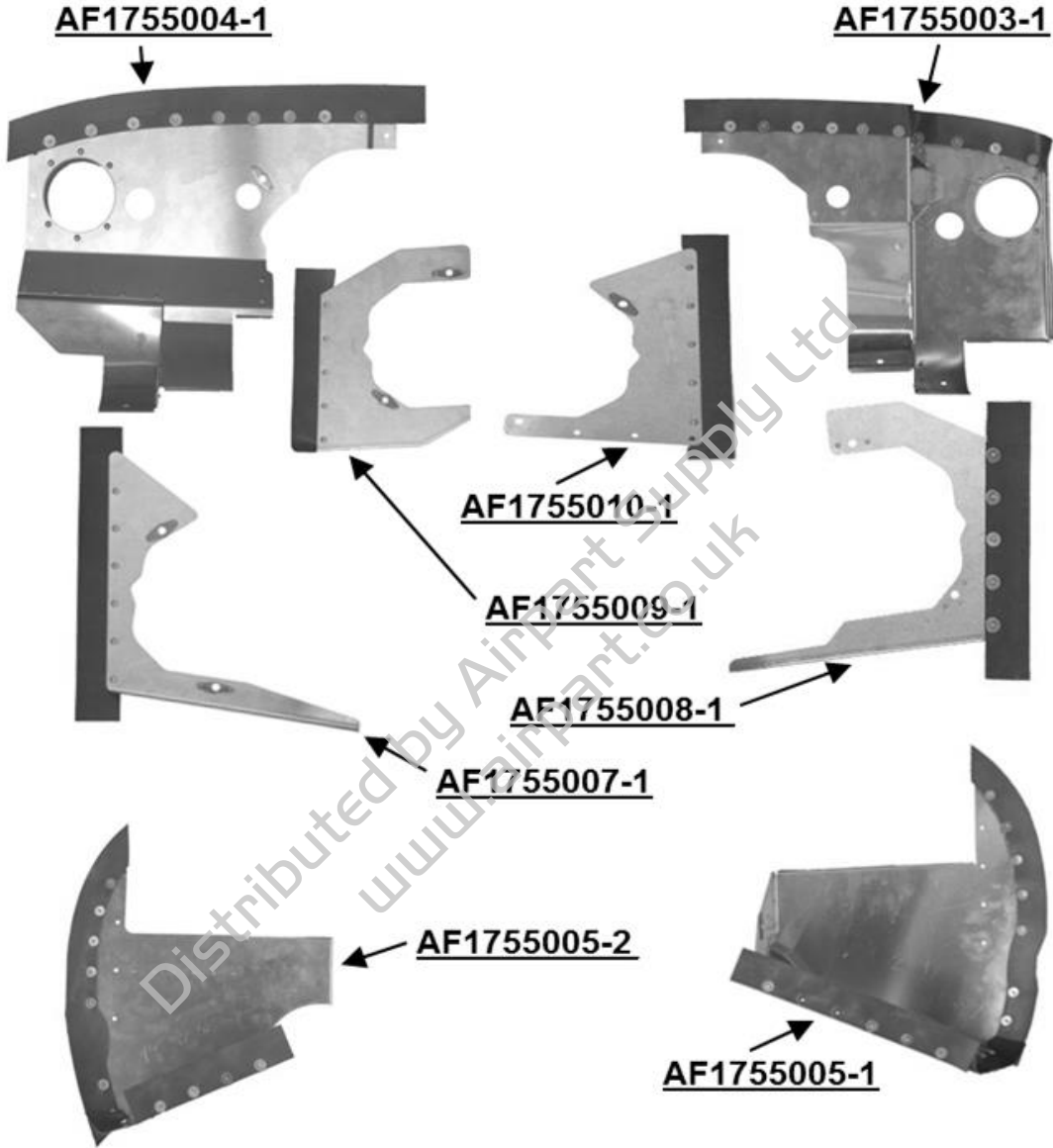


NOTE: Powder Coated Gray (only) to match original baffles.

Eligibility: 172S 1998-2004.5 S/N 172S-8001 thru 9770	
Kit Part Number	Description
C172S-98045PCBK	1998-04.5 C172S Baffle Set - Powder Coated with Black Seal
SEALKIT-C172RS-BK	1997-04.5 C172R&S Black Seal Kit (Airforms' Replacements)

[Orange and blue seals are available at an additional cost.]

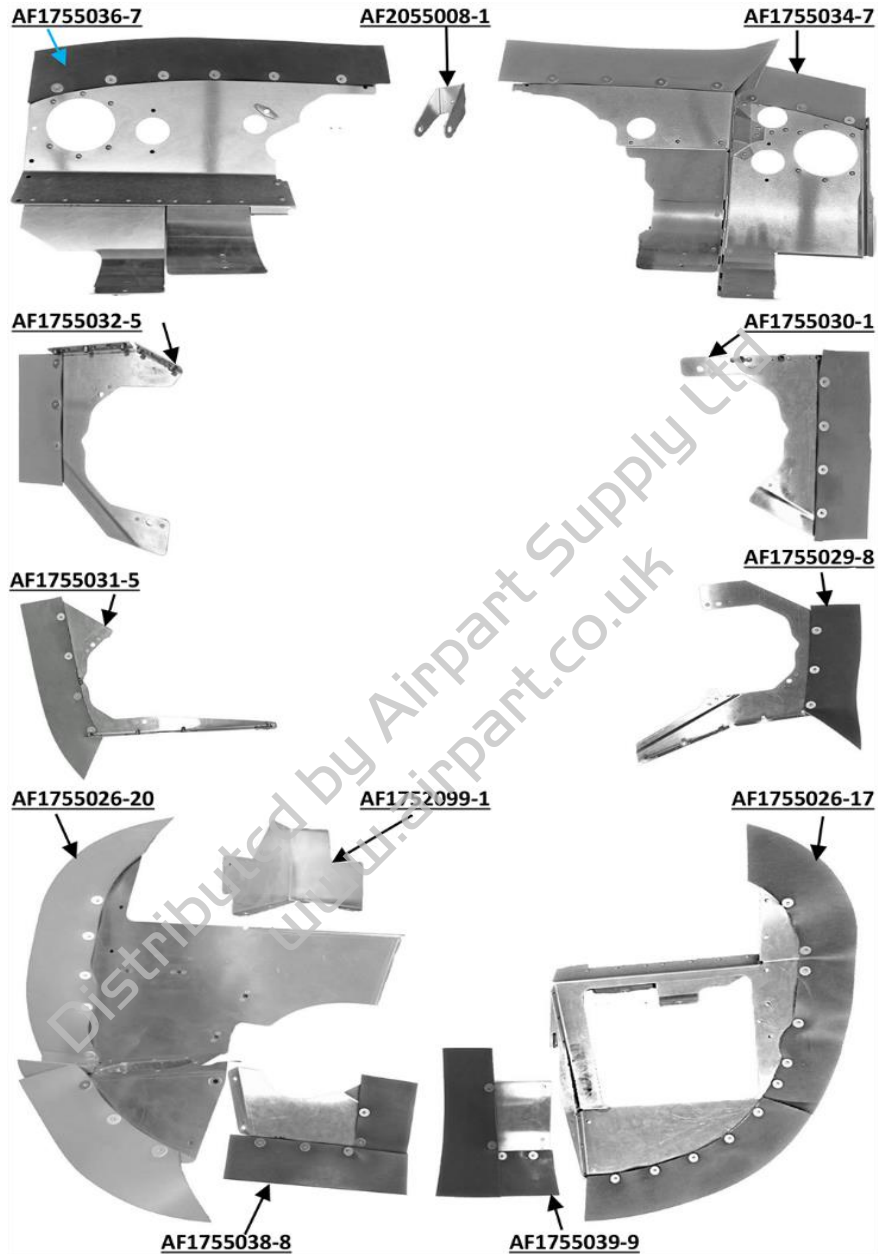
**FAA PMA ENGINE Baffles for Cessna Aircraft
 CESSNA 177 (1968)**



Eligibility: 177 S/N 177-00001 Thru 01164	
Kit Part Number	Description
C177-68BRBK	1968 C177 Baffle Set - Bare Metal with Black Seals
C177-68PCBK	1968 C177 Baffle Set - Powder Coated with Black Seal
SEALKIT-C177-68-BK	1968 C177 Black Seal Kit (Airforms' Replacements)

[Orange and blue seals are available at an additional cost.]

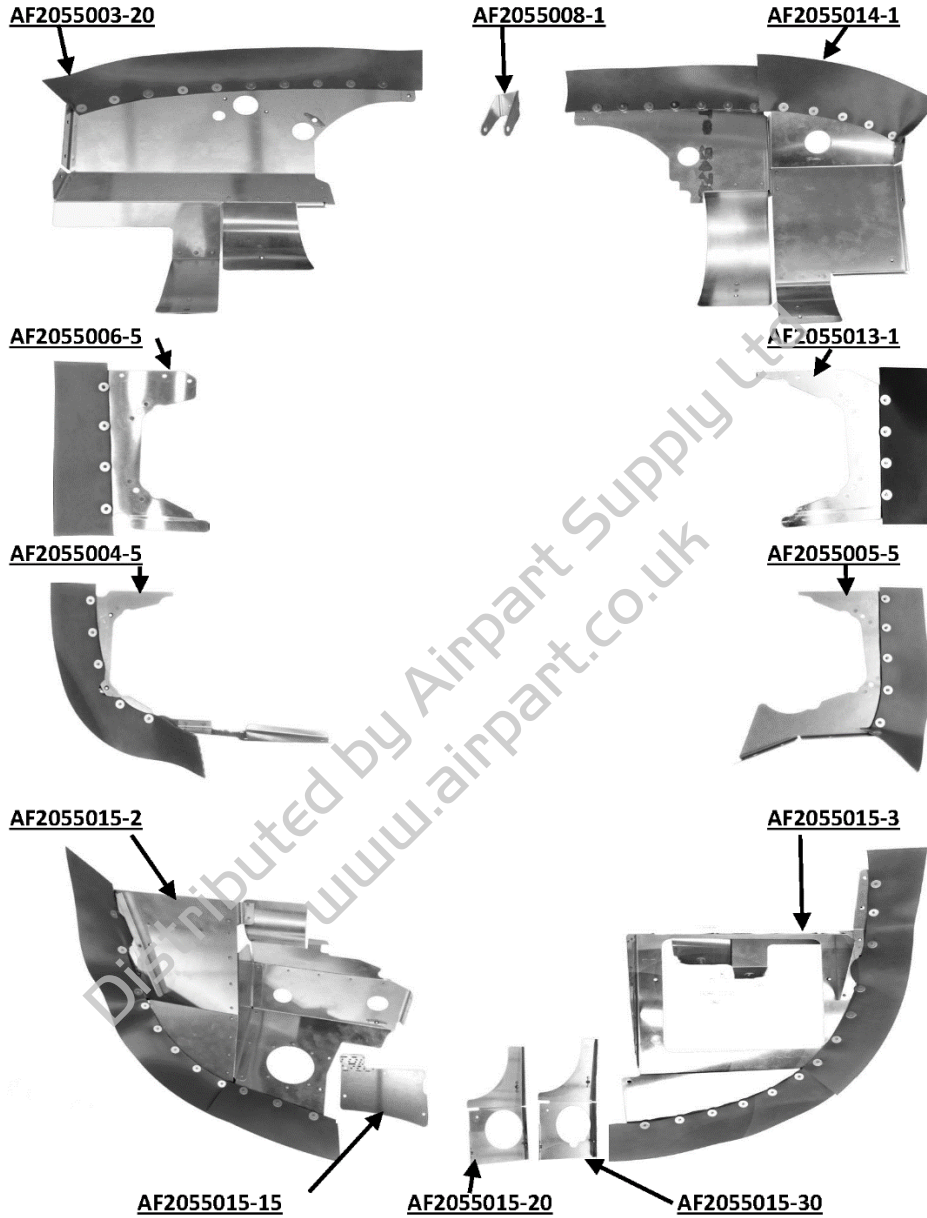
**FAA PMA ENGINE Baffles for Cessna Aircraft
 CESSNA 177 (1973-1974)**



Eligibility: 177 S/N 177-01774 Thru 02123	
Kit Part Number	Description
C177-7374BRBK	1973-74 C177 Baffle Set - Bare Metal with Black Seal
C177-7374PCBK	1973-74 C177 Baffle Set - Powder Coated with Black Seal
SEALKIT-C177-7374-BK	1973-74 C177 Black Seal Kit (Airforms' Replacements)

[Orange and blue seals are available at an additional cost.]

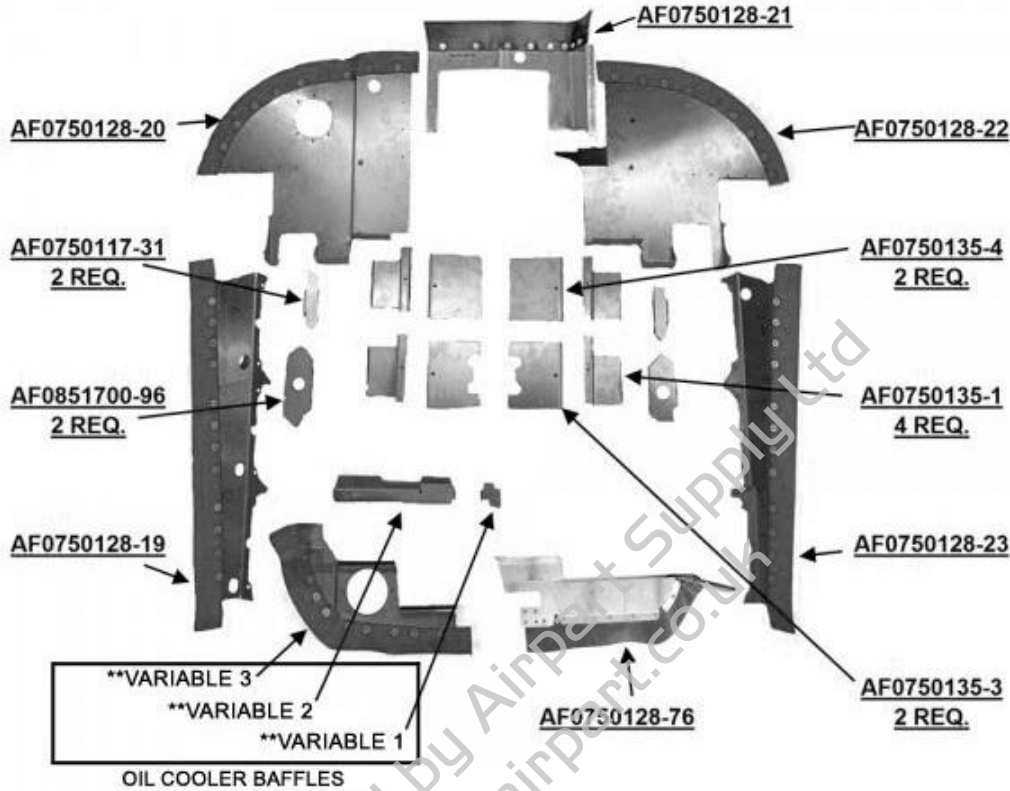
**FAA PMA ENGINE Baffles for Cessna Aircraft
 CESSNA 177RGII (1975-1978)**



Eligibility: 177RG-0593 thru 1366, 0419	
Kit Part Number	Description
C177RG-7578BRBK	1975-78 C177RG Baffle Set - Bare Metal with Black Seal
C177RG-7578PCBK	1975-78 C177RG Baffle Set - Powder Coated with Black Seal
SEALKIT-C177RG-7578-BK	1975-78 C177RG Black Seal Kit (Airforms' Replacements)

[Orange and blue seals are available at an additional cost.]

**FAA PMA ENGINE Baffles for Cessna Aircraft
 CESSNA 180 (1956-1981) / 182 (1958-1973)**



**Oil cooler baffles vary in size. To select which oil cooler package is most appropriate for your application, see P/N's and measurements on the images below.

Note: You can also view your illustrated parts catalog if you have a standard oil cooler.

Eligibility: C180 S/N 180-32151 thru 53203, C182 S/N 182-34754 thru 62465

Bare Metal Sets

Kit Part Number	Description
C180182-PKGA-BRBK	C180/182 Baffle Set - Bare Metal with Black Seal, Package A Oil Cooler Baffles
C180182-PKGB-BRBK	C180/182 Baffle Set - Bare Metal with Black Seal, Package B Oil Cooler Baffles
C180182-PKGC-BRBK	C180/182 Baffle Set - Bare Metal with Black Seal, Package C Oil Cooler Baffles
C180182-PKGD-BRBK	C180/182 Baffle Set - Bare Metal with Black Seal, Package D Oil Cooler Baffles

Powder Coated Baffle Sets

Kit Part Number	Description
C180182-PKGA-PCBK	C180/182 Baffle Set - Powder Coated with Black Seal, Package A Oil Cooler Baffles
C180182-PKGB-PCBK	C180/182 Baffle Set - Powder Coated with Black Seal, Package B Oil Cooler Baffles
C180182-PKGC-PCBK	C180/182 Baffle Set - Powder Coated with Black Seal, Package C Oil Cooler Baffles
C180182-PKGD-PCBK	C180/182 Baffle Set - Powder Coated with Black Seal, Package D Oil Cooler Baffles

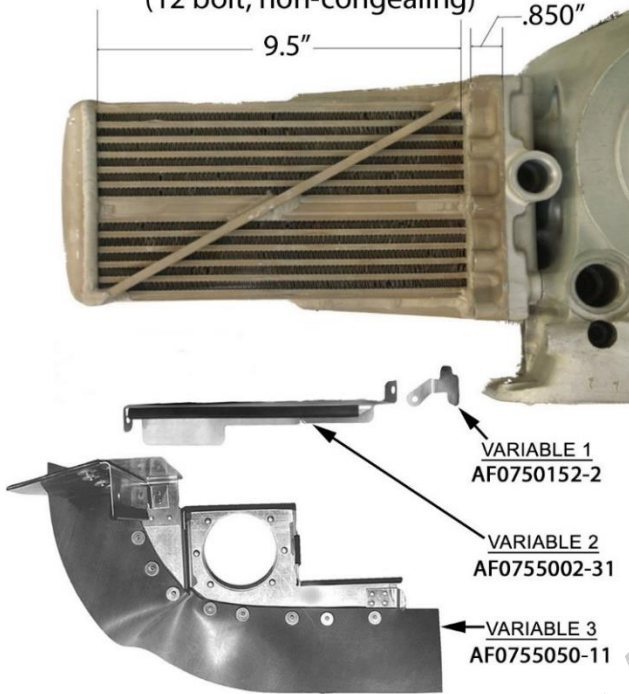
Silicone Seal Kits

Kit Part Number	Description
SEALKIT-C180182-PKGA-BK	C180/182 Black Seal Kit, Package A Oil Cooler Seals (Airforms' Replacements)

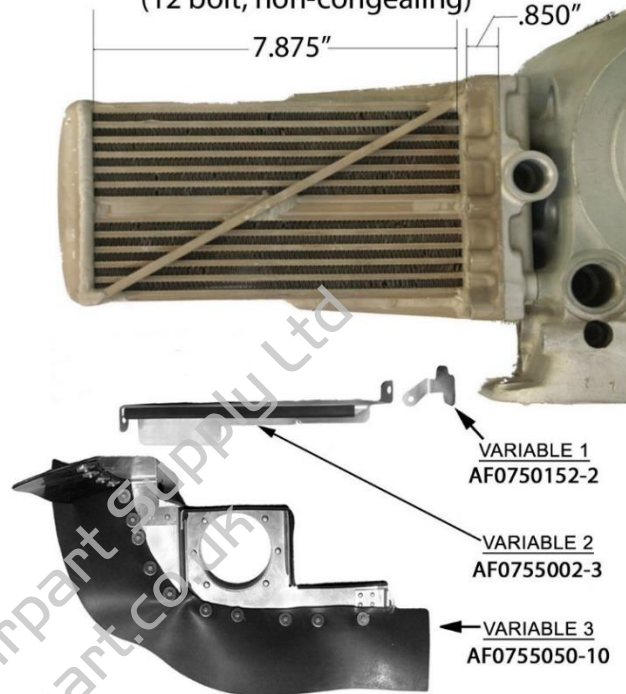
[Orange and blue seals are available at an additional cost.]

CESSNA 180 (1956-1981) / 182 (1958-1973) Oil Cooler Options

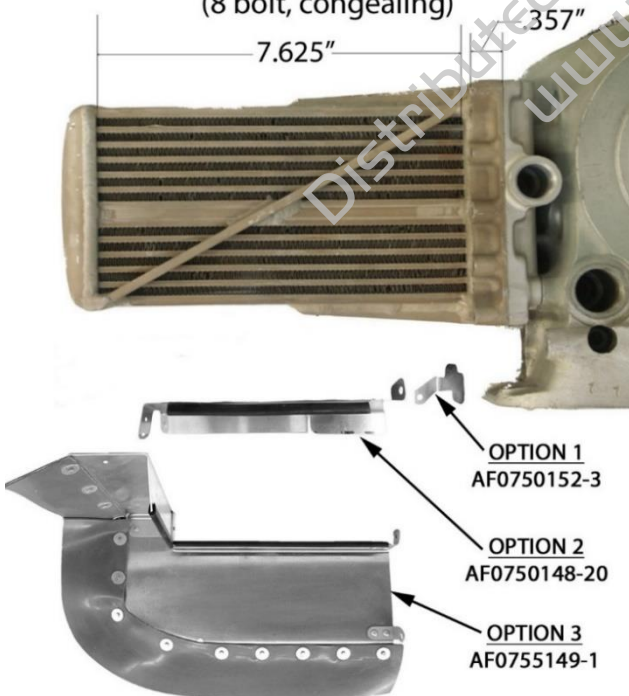
OIL COOLER PACKAGE A
(12 bolt, non-congealing)



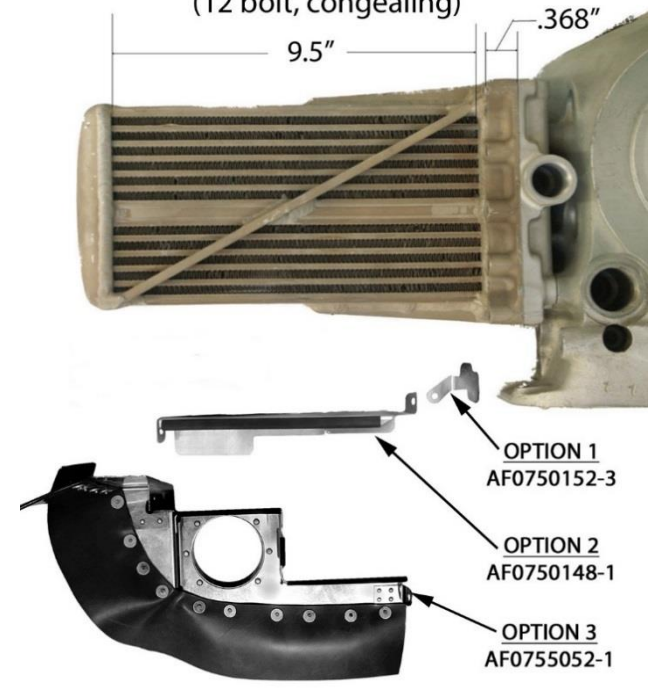
OIL COOLER PACKAGE B
(12 bolt, non-congealing)



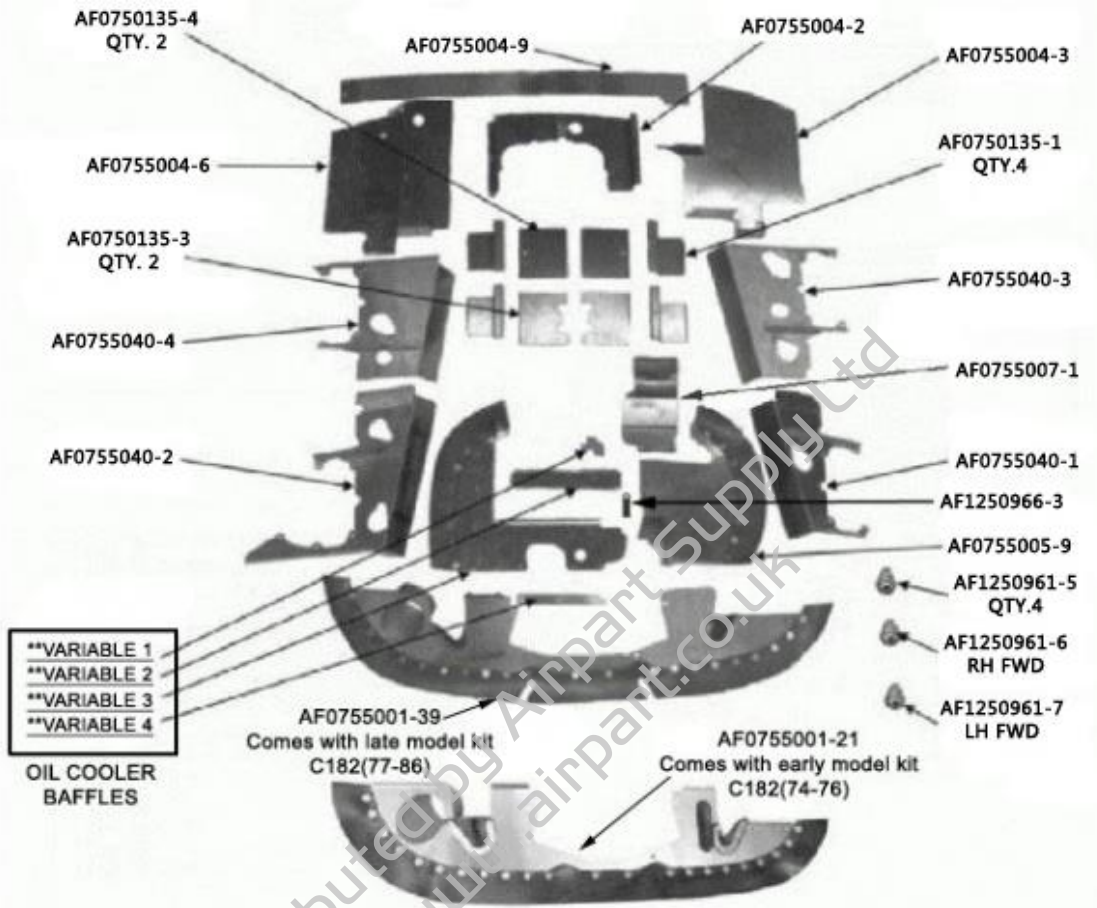
OIL COOLER PACKAGE C
(8 bolt, congealing)



OIL COOLER PACKAGE D
(12 bolt, congealing)



**FAA PMA ENGINE Baffles for Cessna Aircraft
 CESSNA 182 (1974-1976)**



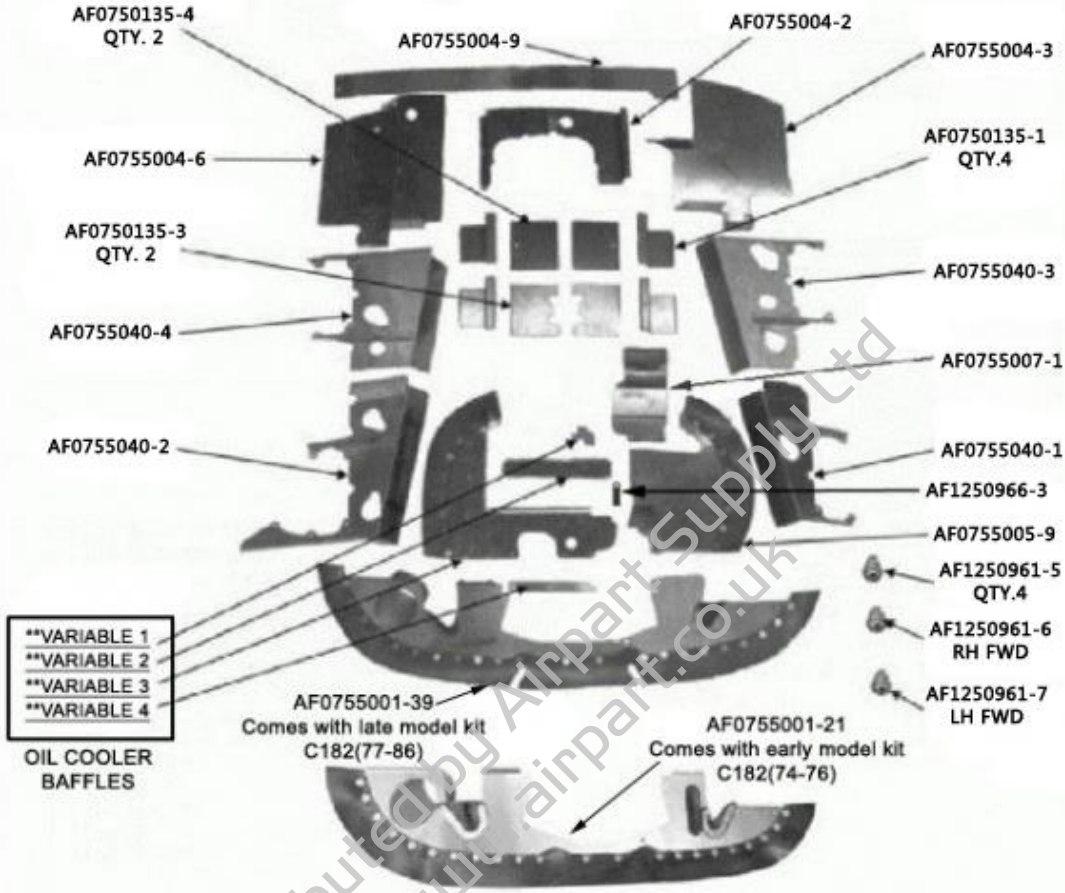
**Oil cooler baffles vary in size. To select which oil cooler package is most appropriate for your application, see P/N's and measurements on the images below.
 Note: You can also view your illustrated parts catalog if you have a standard oil cooler.

Baffle Sets & Seal Kits Include Cowling Seals

Eligibility: 182 S/N 182-62466 thru 65175 F182 S/N F182-00001 thru 00025	
Bare Metal Kits	Description
C182-7476-PKGG-BRBK	1974-76 C182 Baffle Set - Bare Metal with Black Seal, Package G Oil Cooler Baffles
C182-7476-PKGG-PCBK	1974-76 C182 Baffle Set - Bare Metal with Black Seal, Package H Oil Cooler Baffles
Powder Coated Kits	Description
C182-7476-PKGG-PCBK	1974-76 C182 Baffle Set - Powder Coated with Black Seal, Package G Oil Cooler Baffles
C182-7476-PKGG-PCBK	1974-76 C182 Baffle Set - Powder Coated with Black Seal, Package H Oil Cooler Baffles
Seal Kits	Description
SEALKIT-C182-7476-PKGG-BK	1974-76 C182 Black Seal Kit, Package G Oil Cooler Seals (Airforms' Replacements)
SEALKIT-C182-7476-PKGG-BK	1974-76 C182 Black Seal Kit, Package H Oil Cooler Seals (Airforms' Replacements)

[Orange and blue seals are available at an additional cost.]

**FAA PMA ENGINE Baffles for Cessna Aircraft
 CESSNA 182 (1977-1986)**



**Oil cooler baffles vary in size. To select which oil cooler package is most appropriate for your application, see P/N's and measurements on the images below.

Note: You can also view your illustrated parts catalog if you have a standard oil cooler.

Baffle Sets & Seal Kits Include Cowling Seals

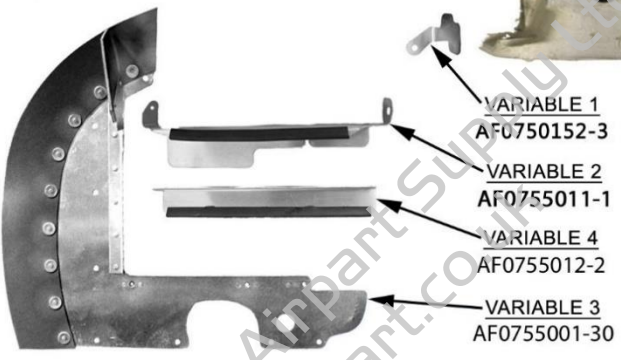
Eligibility: 182 S/N 182-65176 thru 68615, F182 S/N F18200026 thru 00169	
Bare Metal Kits	Description
C182-7786-PKGG-BRBK	1977-86 C182 Baffle Set - Bare Metal with Black Seal, Package G Oil Cooler Baffles
C182-7786-PKGH-BRBK	1977-86 C182 Baffle Set - Bare Metal with Black Seal, Package H Oil Cooler Baffles
Powder Coated Kits	Description
C182-7786-PKGG-PCBK	1977-86 C182 Baffle Set - Powder Coated with Black Seal, Package G Oil Cooler Baffles
C182-7786-PKGH-PCBK	1977-86 C182 Baffle Set - Powder Coated with Black Seal, Package H Oil Cooler Baffles
Seal Kits	Description
SEALKIT-C182-7786-PKGG-BK	1977-86 C182 Black Seal Kit, Package G Oil Cooler Seals (Airforms' Replacements)
SEALKIT-C182-7786-PKGH-BK	1977-86 C182 Black Seal Kit, Package H Oil Cooler Seals (Airforms' Replacements)

[Orange and blue seals are available at an additional cost.]

CESSNA 182 (1974-1986) Oil Cooler Options

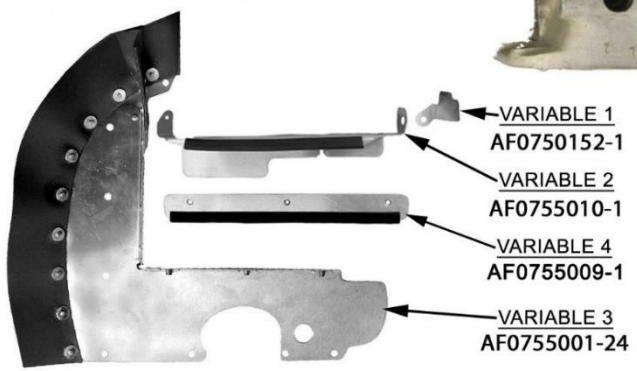
OIL COOLER PACKAGE G

(12 bolt, non-congealing)

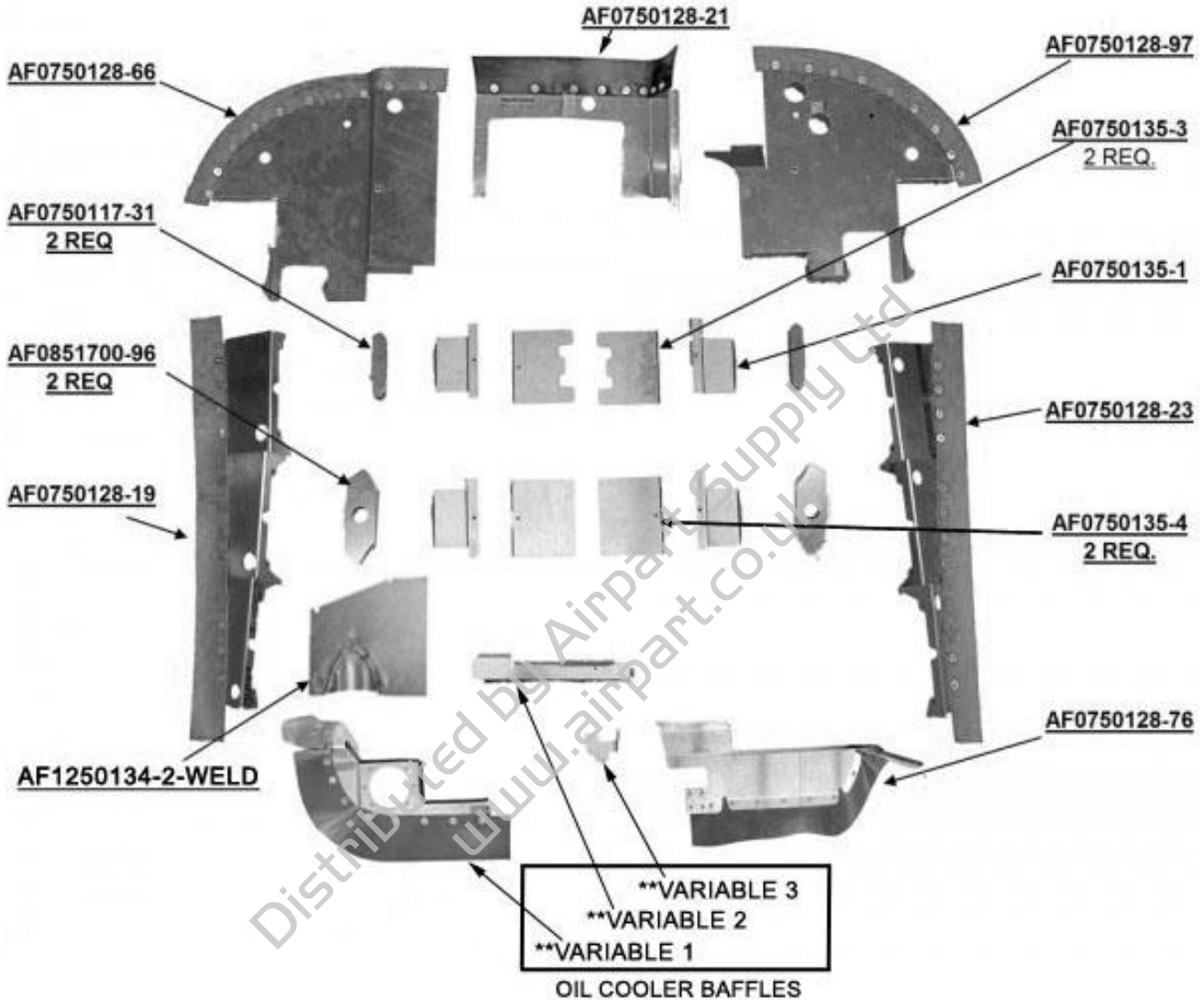


OIL COOLER PACKAGE H

(8 bolt, congealing)



**FAA PMA ENGINE Baffles for CESSNA AIRCRAFT
 CESSNA 185**



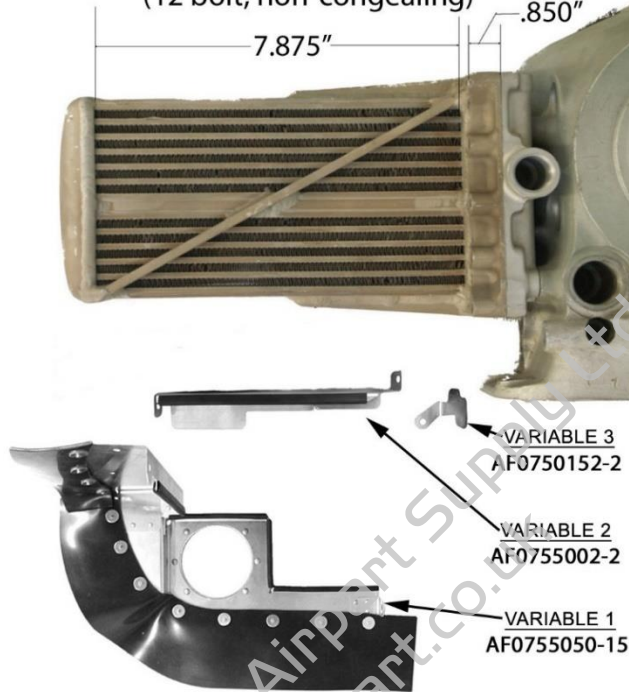
Eligibility: 185 ALL S/N	
Bare Metal Kits	Description
C185-PKGJ-BRBK	C185 Baffle Set - Bare Metal with Black Seal, Package J Oil Cooler Baffles
C185-PKGK-BRBK	C185 Baffle Set - Bare Metal with Black Seal, Package K Oil Cooler Baffles
Powder Coated Kits	Description
C185-PKGJ-PCBK	C185 Baffle Set - Powder Coated with Black Seal, Package J Oil Cooler Baffles
C185-PKGK-PCBK	C185 Baffle Set - Powder Coated with Black Seal, Package K Oil Cooler Baffles
Seal Kits	Description
SEALKIT-C185-PKGJ-BK	C185 Black Seal Kit, Package J Oil Cooler Seals (Airforms' Replacements)
SEALKIT-C185-PKGK-BK	C185 Black Seal Kit, Package K Oil Cooler Seals (Airforms' Replacements)

[Orange and blue seals are available at an additional cost.]

CESSNA 185 Oil Cooler Options

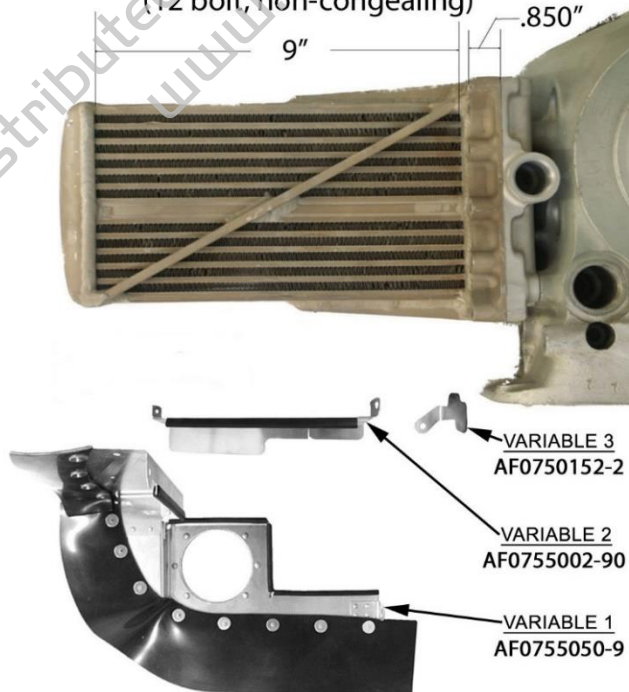
OIL COOLER PACKAGE J

(12 bolt, non-congealing)

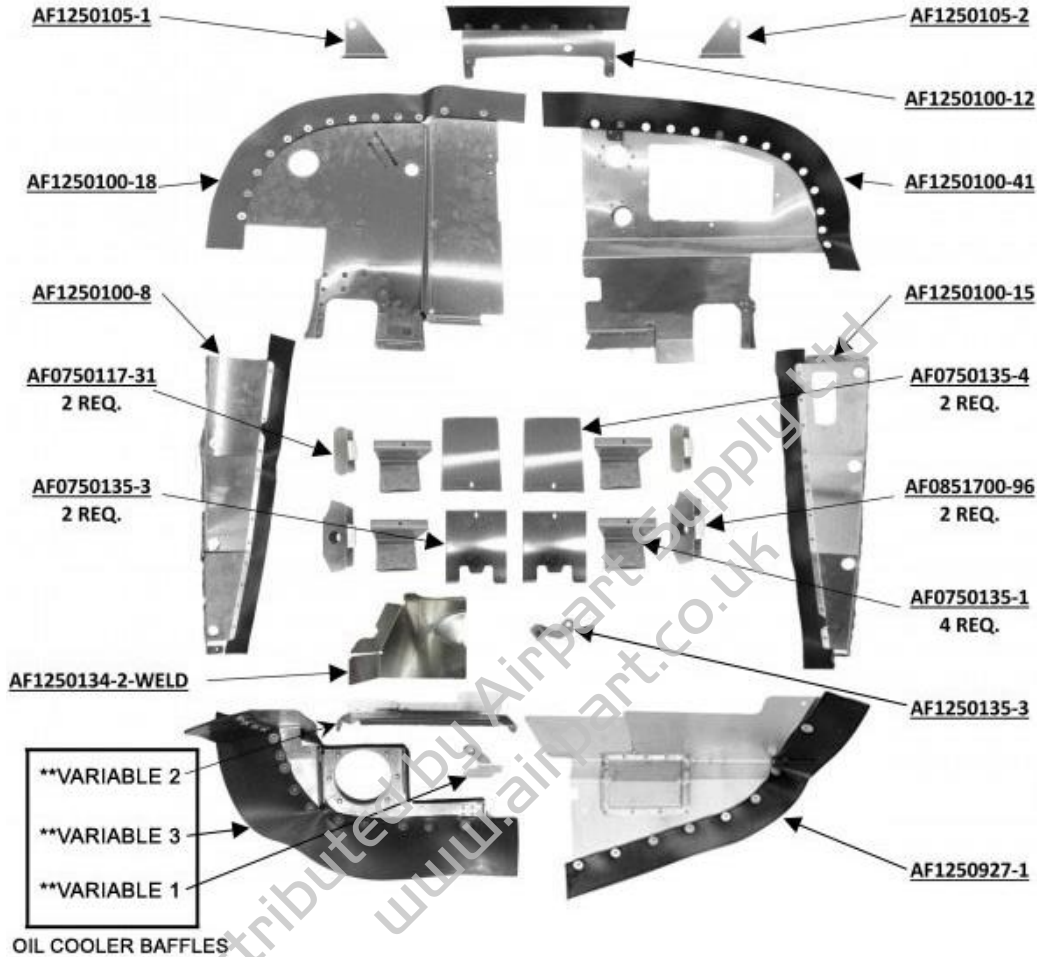


OIL COOLER PACKAGE K

(12 bolt, non-congealing)



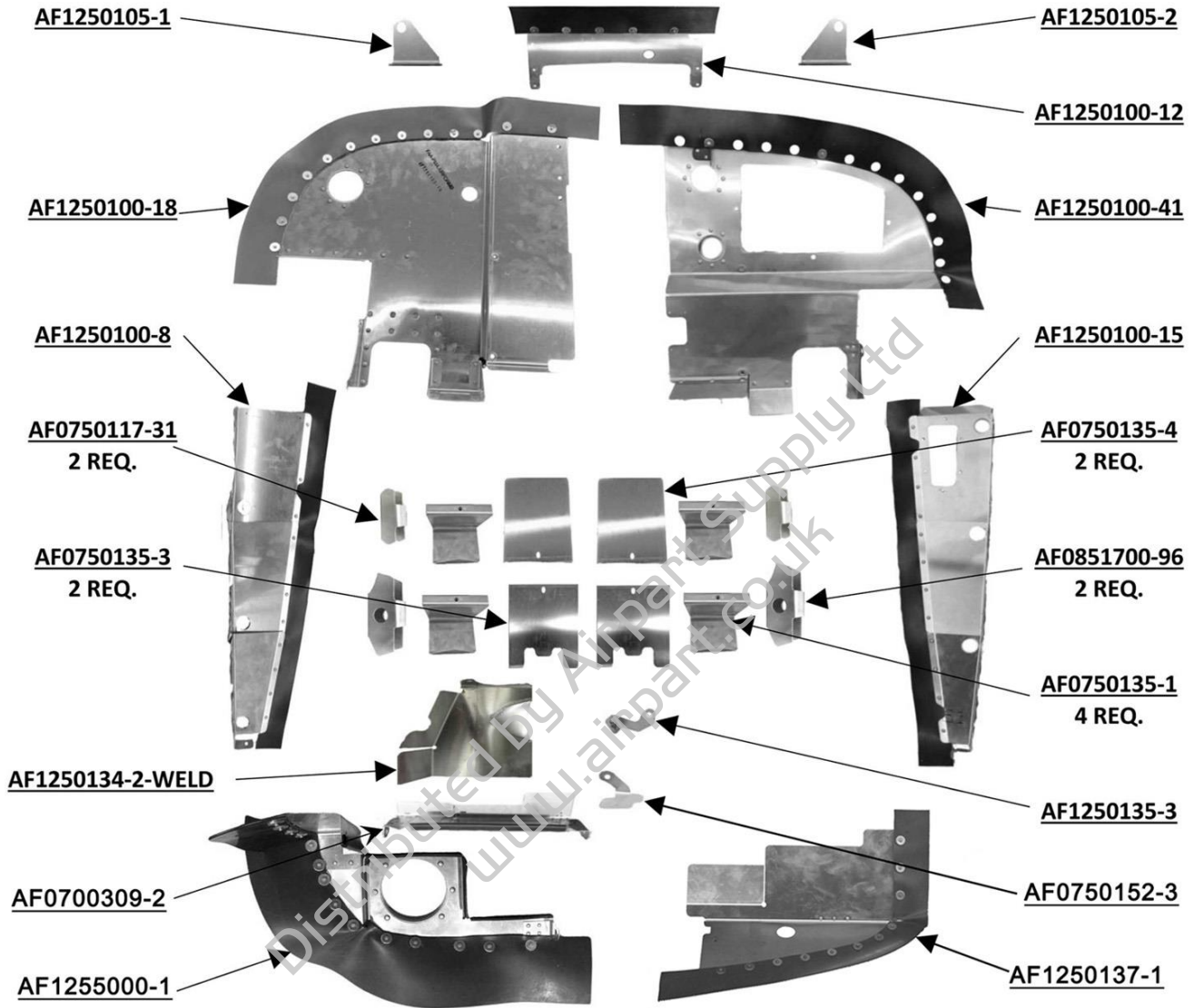
**FAA PMA ENGINE Baffles for CESSNA AIRCRAFT
 CESSNA 206 (1964) // U206 (1965-1971.5)**



Eligibility: 1964 206 Only: S/N 206-0001 thru 0275, U206 1965-71.5: S/N 206-0276 thru 01604 & 206-01619 thru 01632 ** RH Rear Baffle for C206: AF1250100-18 (gets flange), for C207: AF1250100-18-CP (gets cover plate) **	
Bare Metal Kits	Description
C206-64715-PKGE-BRBK	1964-71.5 C206 Baffle Set - Bare Metal with Black Seal, Package E Oil Cooler Baffles
C206-64715-PKGF-BRBK	1964-71.5 C206 Baffle Set - Bare Metal with Black Seal, Package F Oil Cooler Baffles
C206-64715-PKGI-BRBK	1964-71.5 C206 Baffle Set - Bare Metal with Black Seal, Package I Oil Cooler Baffles
Powder Coated Kits	Description
C206-64715-PKGE-PCBK	1964-71.5 C206 Baffle Set - Powder Coated with Black Seal, Package E Oil Cooler Baffles
C206-64715-PKGF-PCBK	1964-71.5 C206 Baffle Set - Powder Coated with Black Seal, Package F Oil Cooler Baffles
C206-64715-PKGI-PCBK	1964-71.5 C206 Baffle Set - Powder Coated with Black Seal, Package I Oil Cooler Baffles
Seal Kits	Description
SEALKIT-C206207-PKGE-BK	1964-75 C206/207 Black Seal Kit, Package E Oil Cooler Seals (Airforms' Replacements)

[Orange and blue seals are available at an additional cost.]

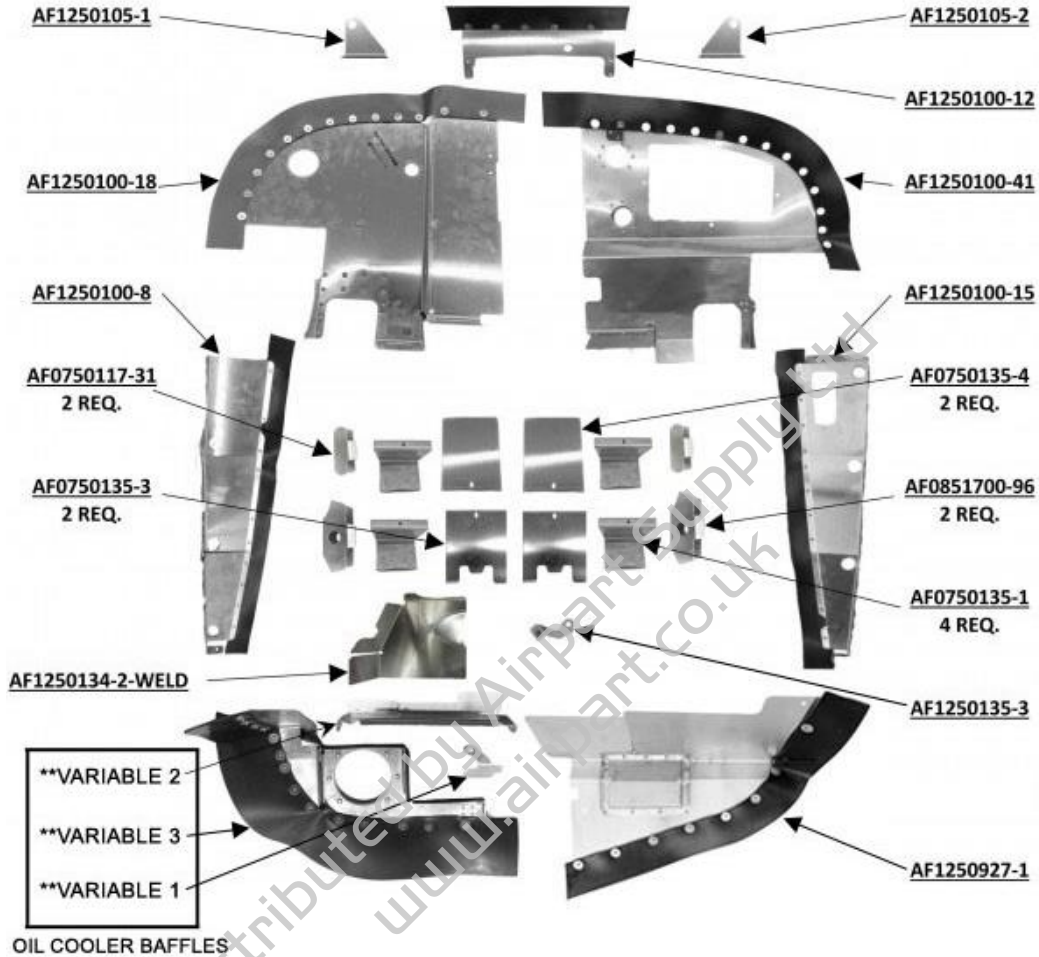
**FAA PMA ENGINE Baffles for CESSNA AIRCRAFT
 CESSNA P206 (1965-70)**



Eligibility: P206 1965-70 S/N: P206-0001 thru 206-00647	
Kit Part Numbers	Description
CP206-BRBK	1965-70 CP206 Baffle Set - Bare Metal with Black Seals
CP206-PCBK	1965-70 CP206 Baffle Set - Bare Metal with Black Seals
SEALKIT-CP206-BK	CP206 Black Seal Kit (Airforms' Replacements)

[Orange and blue seals are available at an additional cost.]

**FAA PMA ENGINE Baffles for CESSNA AIRCRAFT
 CESSNA 207 (1969-75)**

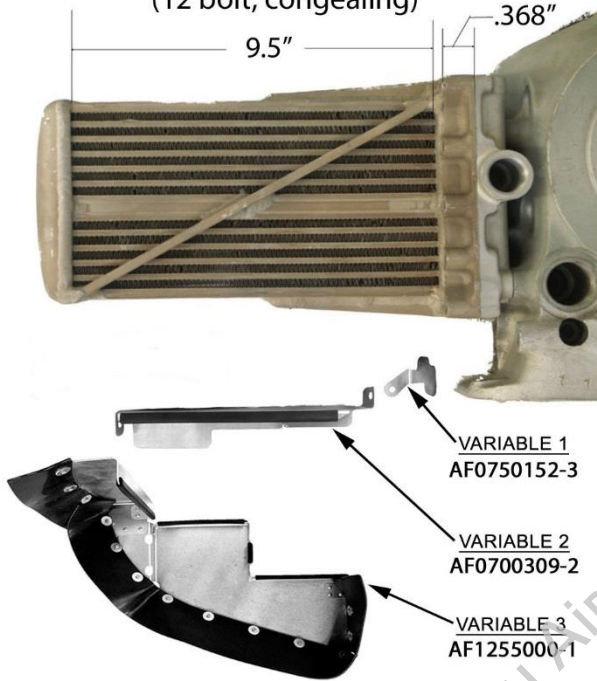


Eligibility: C207 1969-75: S/N 207-00001 thru 00268	
** RH Rear Baffle for C206: AF1250100-18 (gets flange), for C207: AF1250100-18-CP (gets cover plate) **	
Bare Metal Kits	Description
C207-6975-PKGE-BRBK	1969-75 C207 Baffle Set - Bare Metal with Black Seal, Package E Oil Cooler Baffles
C207-6975-PKGF-BRBK	1969-75 C207 Baffle Set - Bare Metal with Black Seal, Package F Oil Cooler Baffles
C207-6975-PKGI-BRBK	1969-75 C207 Baffle Set - Bare Metal with Black Seal, Package I Oil Cooler Baffles
Powder Coated Kits	Description
C207-6975-PKGE-PCBK	1969-75 C207 Baffle Set - Powder Coated with Black Seal, Package E Oil Cooler Baffles
C207-6975-PKGF-PCBK	1969-75 C207 Baffle Set - Powder Coated with Black Seal, Package F Oil Cooler Baffles
C207-6975-PKGI-PCBK	1969-75 C207 Baffle Set - Powder Coated with Black Seal, Package I Oil Cooler Baffles
Seal Kits	Description
SEALKIT-C206207-PKGE-BK	1964-75 C206/207 Black Seal Kit, Package E Oil Cooler Seals (Airforms' Replacements)

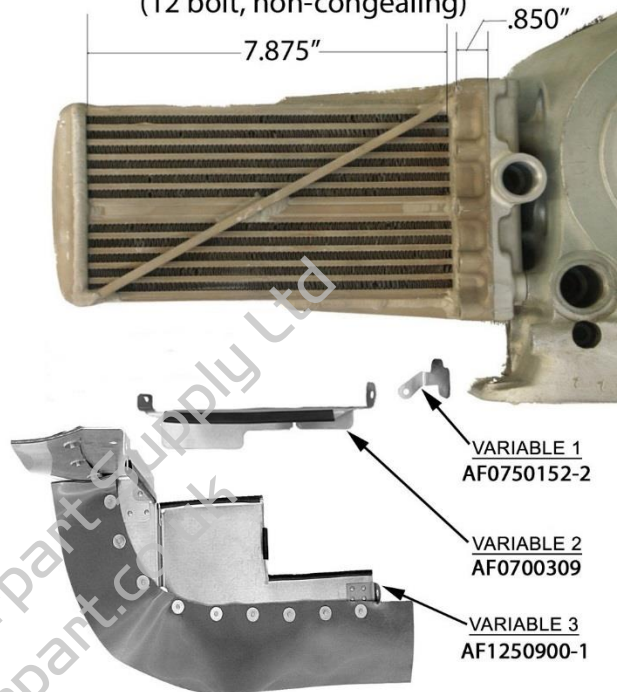
[Orange and blue seals are available at an additional cost.]

CESSNA 206 (1964-1971.5) // 207 (1969-75) Oil Cooler Options

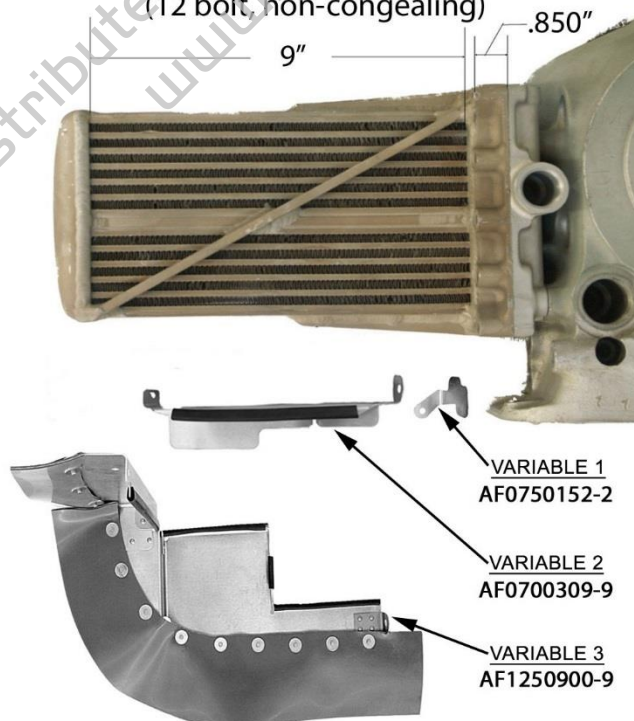
OIL COOLER PACKAGE E
(12 bolt, congealing)



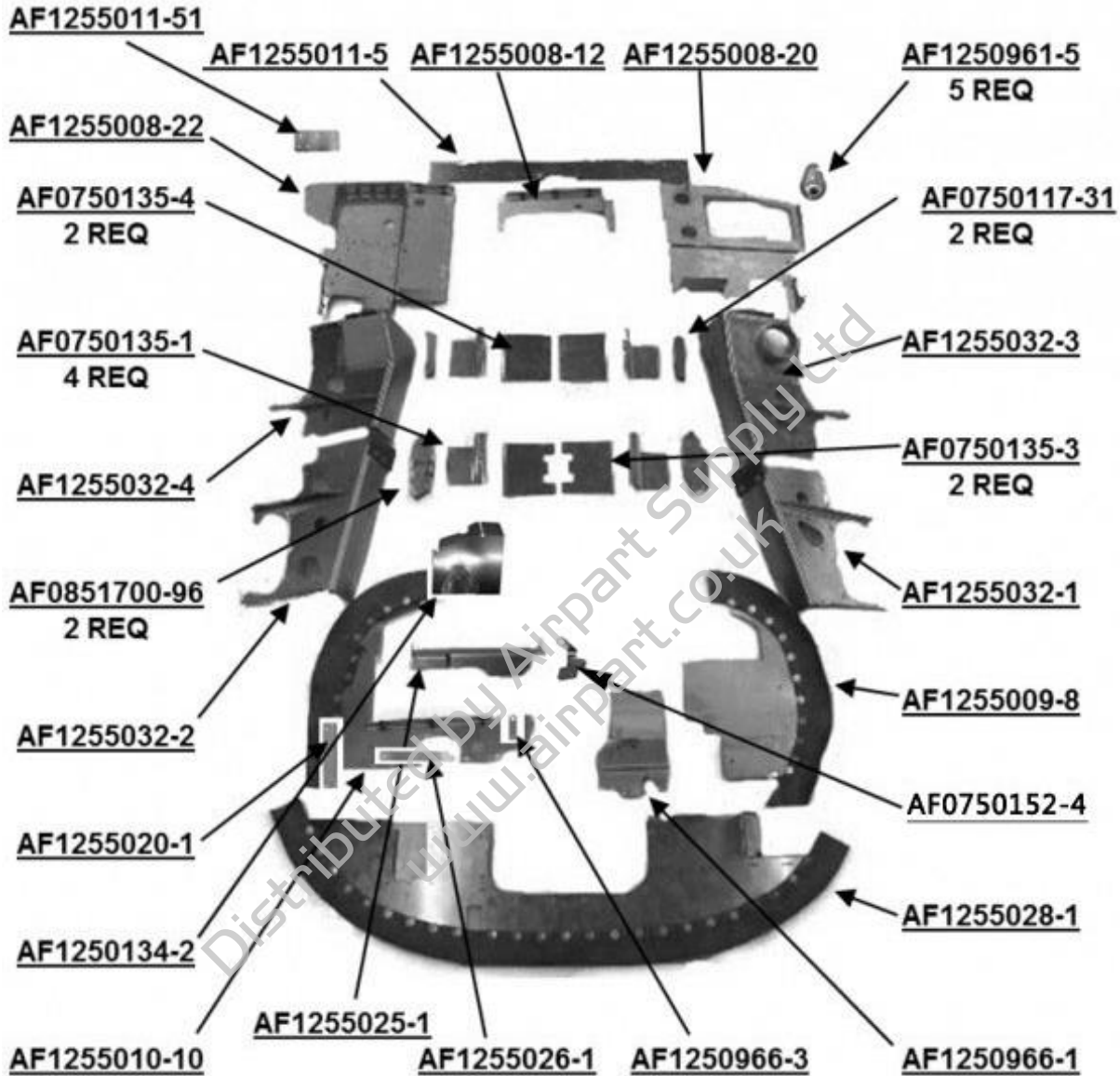
OIL COOLER PACKAGE F
(12 bolt, non-congealing)



OIL COOLER PACKAGE I
(12 bolt, non-congealing)



**FAA PMA ENGINE Baffles for Cessna Aircraft
 CESSNA 206 (1974-1986)**

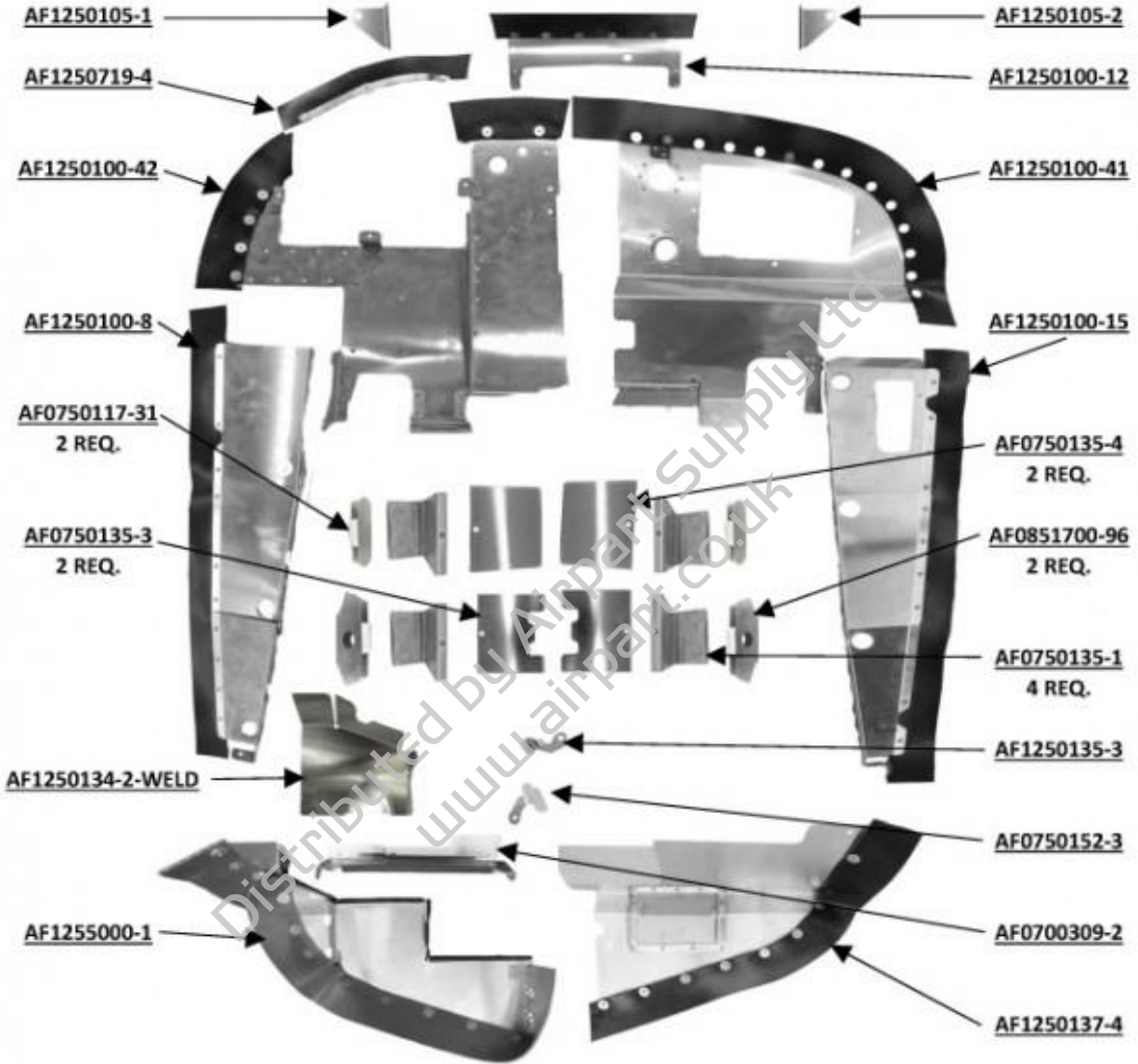


Eligibility: U206 S/N U206-02200 thru 07020

Kit Part Number	Description
C206-7486BRBK	1974-86 C206 Baffle Set - Bare Metal with Black Seal, Includes Cowling Seals
C206-7486PCBK	1974-86 C206 Baffle Set - Powder Coated with Black Seal, Includes Cowling Seals
SEALKIT-C206-7486-BK	1974-86 C206 Black Seal Kit, Includes Cowling Seals (Airforms' Replacements)

[Orange and blue seals are available at an additional cost.]

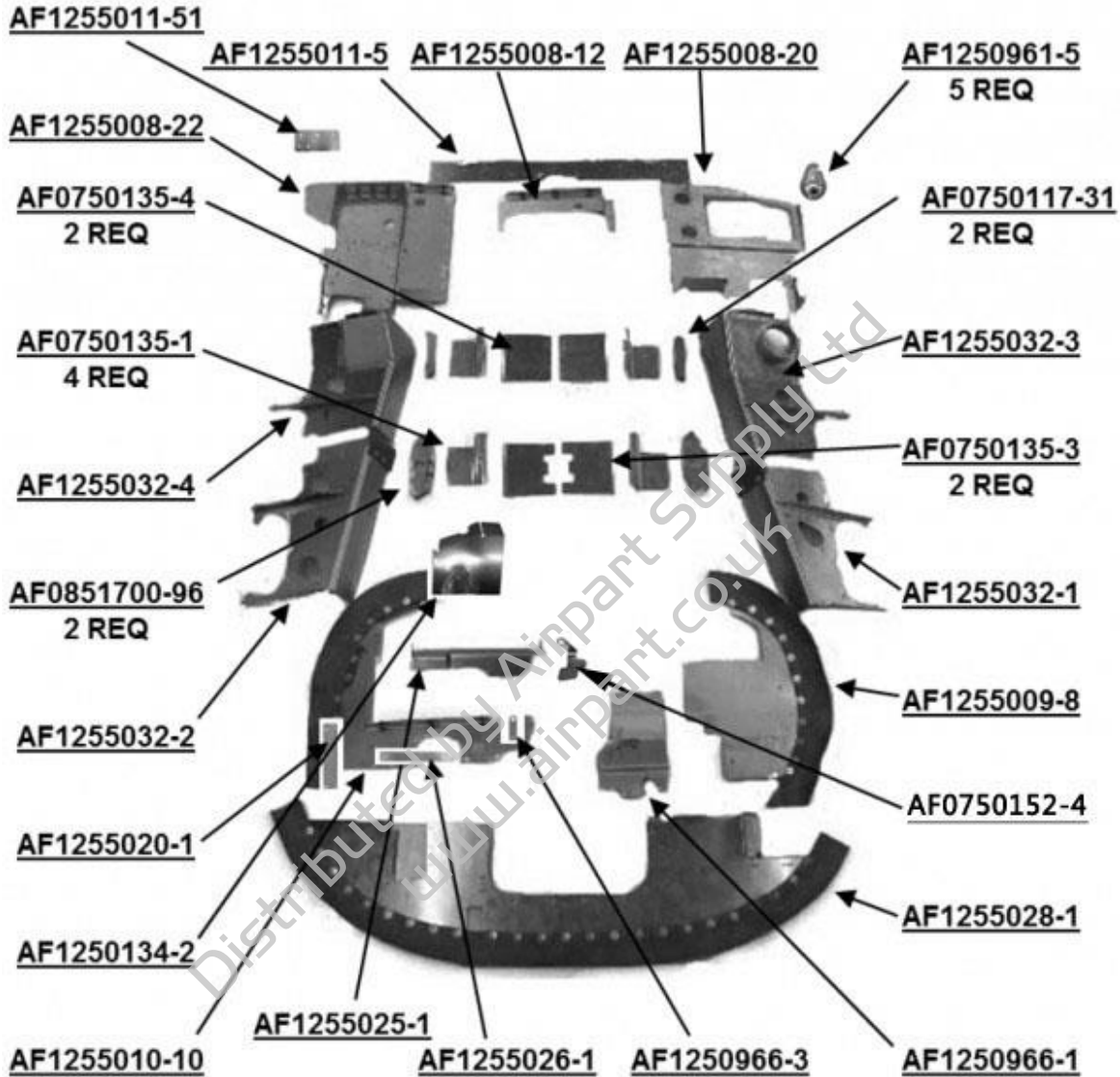
**FAA PMA ENGINE Baffles for Cessna Aircraft
 CESSNA 210 (1970-1973)**



Eligibility: 210 S/N 210-59200 thru 60089	
Kit Part Number	Description
C210-7073BRBK	1970-73 C210 Baffle Set - Bare Metal with Black Seal
C210-7073PCBK	1970-73 C210 Baffle Set - Powder Coated with Black Seal
SEALKIT-C210-7073-BK	1970-73 C210 Black Seal Kit (Airforms' Replacements)

[Orange and blue seals are available at an additional cost.]

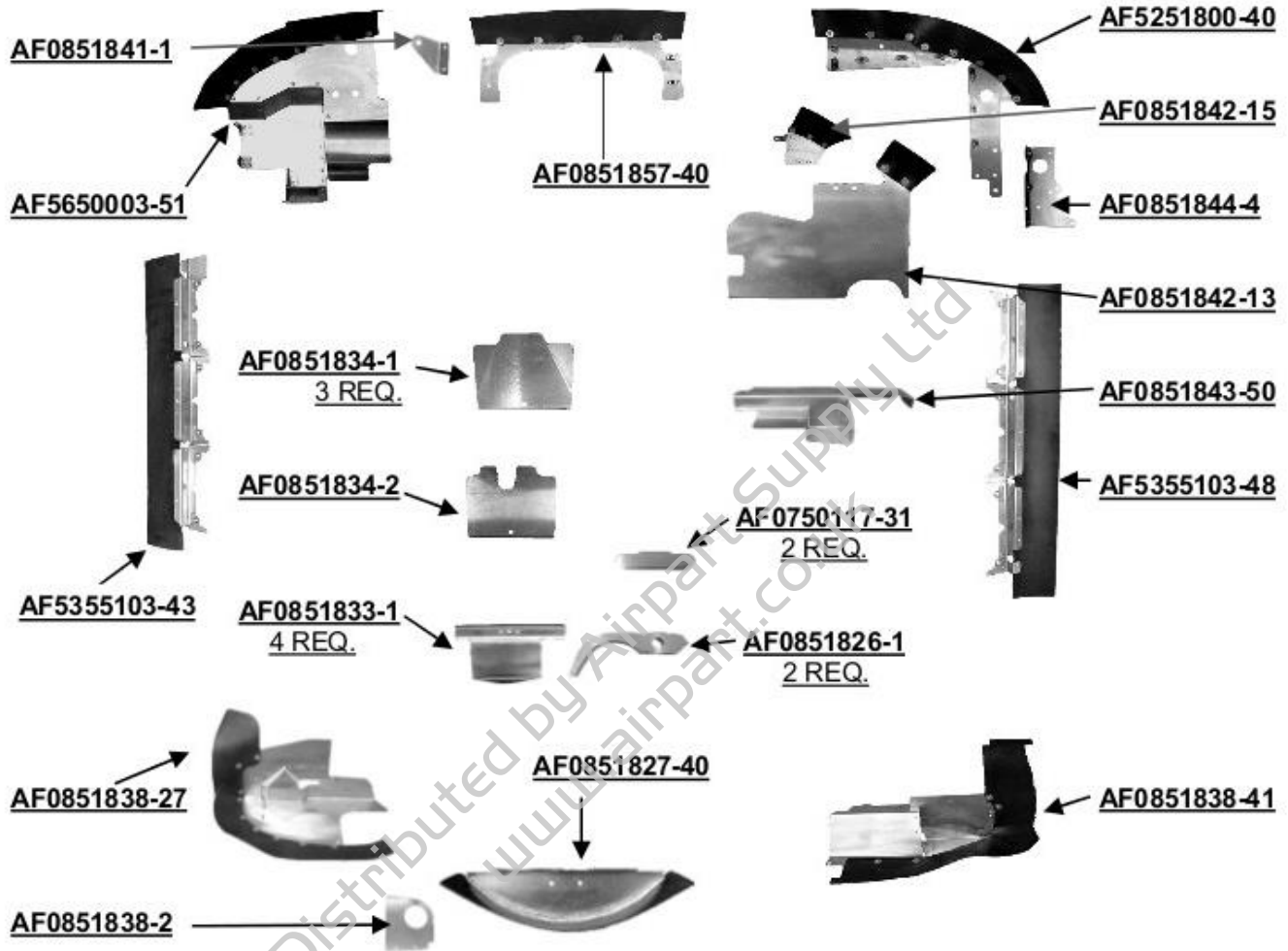
**FAA PMA ENGINE Baffles for Cessna Aircraft
 CESSNA 210 (1976-1980)**



Eligibility: 210 S/N 210-61040 thru 64135	
Kit Part Number	Description
C210-7680BRBK	1976-80 C210 Baffle Set - Bare Metal with Black Seal, Includes Cowling Seals
C210-7680PCBK	1976-80 C210 Powder Coated with Black Seal, Includes Cowling Seals
SEALKIT-C210-7680-BK	1976-80 C210 Black Seal Kit, Includes Cowling Seals (Airforms' Replacements)

[Orange and blue seals are available at an additional cost.]

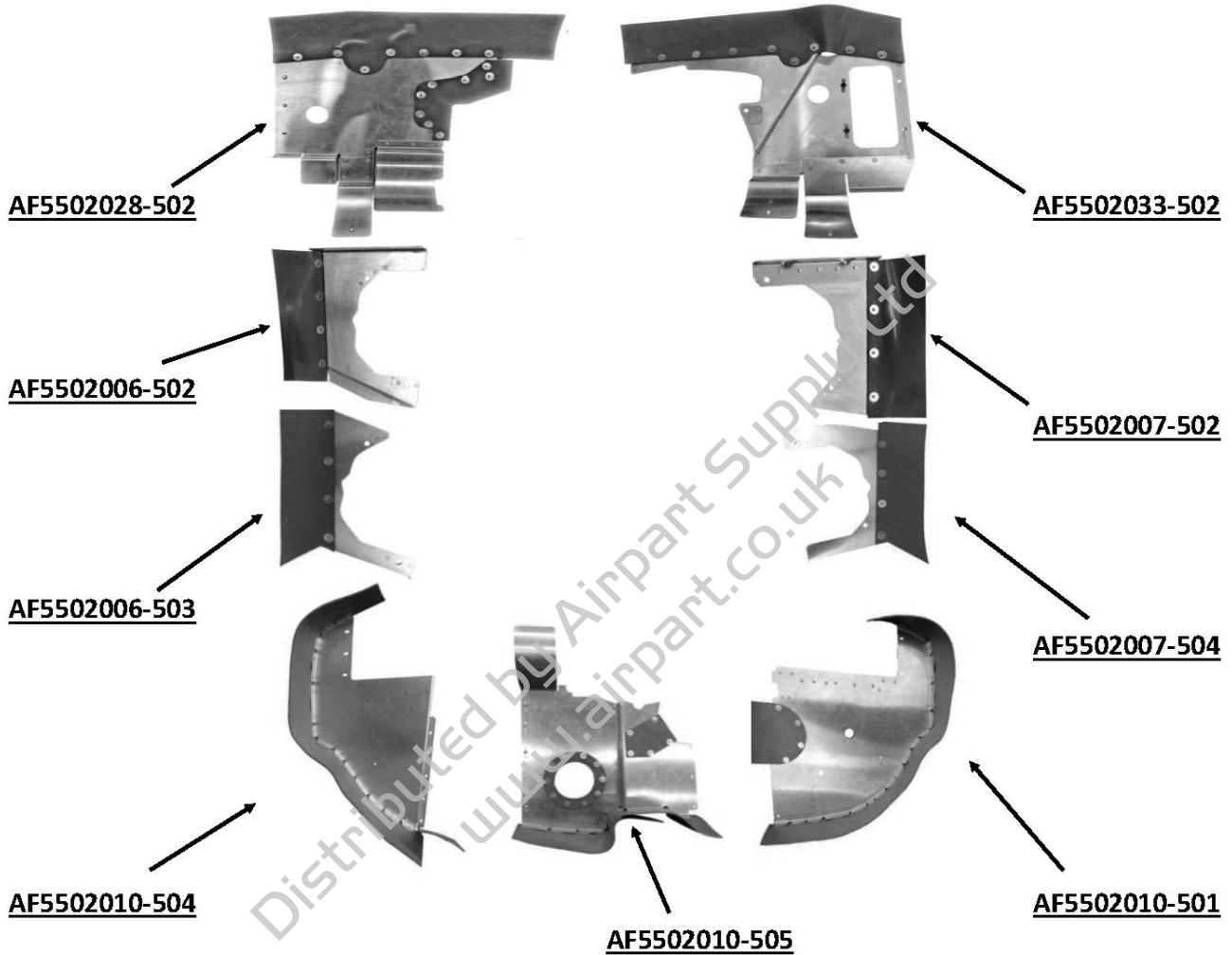
**FAA PMA ENGINE Baffles for Cessna Aircraft
 CESSNA 402C, 414A**



ELIGIBILITY: 402C All Serial Numbers 414A All Serial Numbers	
Kit Part Number	Description
C402414-BRBK	C402C/414A Baffle Set - Bare Metal with Black Seal
C402414-PCBK	C402C/414A Baffle Set - Powder Coated with Black Seal
SEALKIT-C402414-BK	C402C/414A Black Seal Kit (Airforms' Replacements)

[Orange and blue seals are available at an additional cost.]

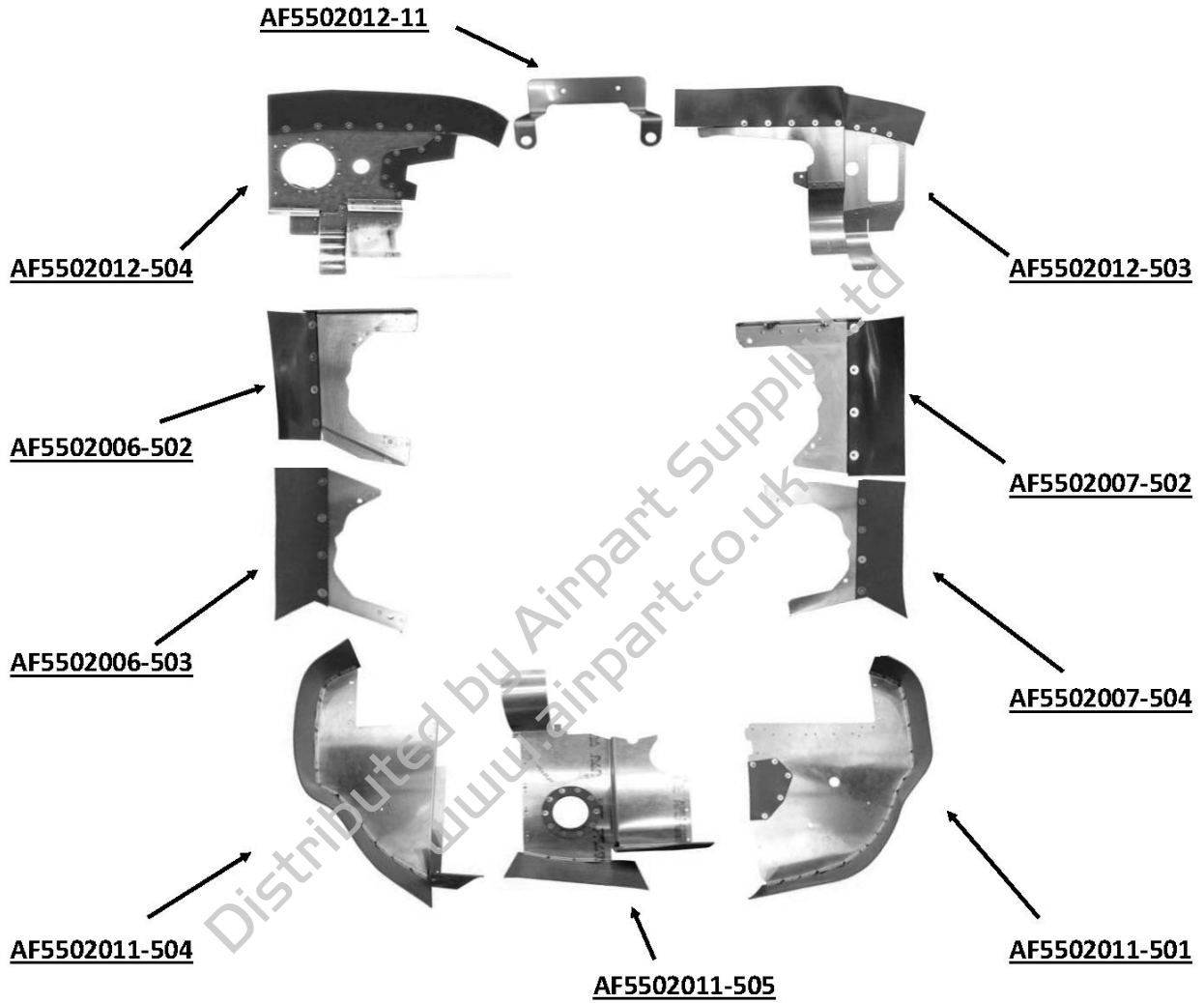
FAA PMA ENGINE Baffles for Grumman Aircraft
Grumman AA-5A



ELIGIBILITY: AA-5A all S/N	
Kit Part Number	Description
AA5A-BRBK	Grumman AA-5A Baffle Set - Bare Metal with Black Seal
AA5A-PCBK	Grumman AA-5A Baffle Set - Powder Coated with Black Seal
SEALKIT-AA5A-BK	Grumman AA-5A Baffle Set - Black Seal Kit (Airforms' Replacements)

[Orange and blue seals are available at an additional cost.]

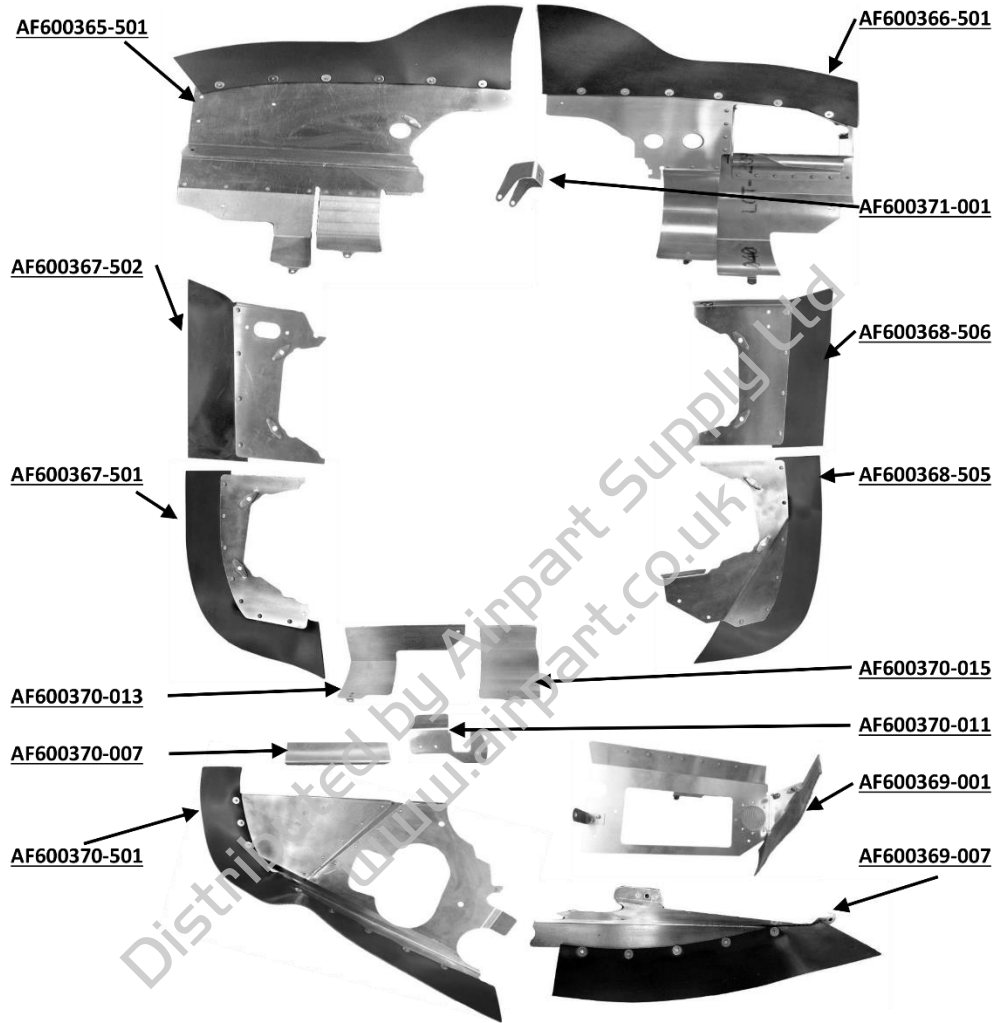
**FAA PMA ENGINE Baffles for Grumman Aircraft
 Grumman AA-5B**



ELIGIBILITY: AA-5B all S/N	
Kit Part Number	Description
AA5B-BRBK	Grumman AA-5B Baffle Set - Bare Metal with Black Seal
AA5B-PCBK	Grumman AA-5B Baffle Set - Powder Coated with Black Seal
SEALKIT-AA5B-BK	Grumman AA-5B Black Seal Kit (Airforms' Replacements)

[Orange and blue seals are available at an additional cost.]

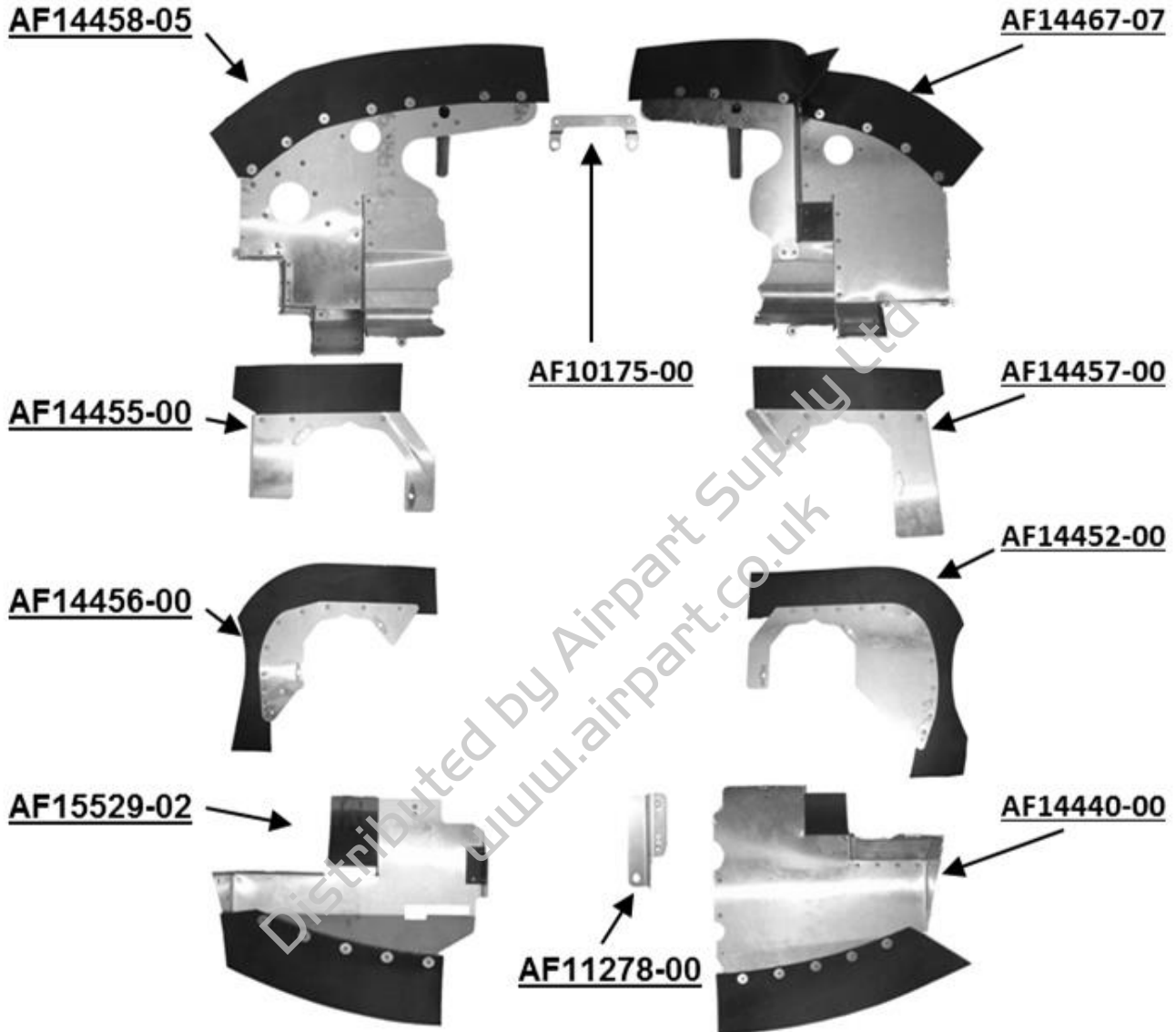
FAA PMA ENGINE Baffles for Mooney Aircraft
Mooney M20J



ELIGIBILITY: M20J ALL Serial Numbers	
Kit Part Number	Description
M20J-BRBK	Mooney M20J Baffle Set - Bare Metal with Black Seal
M20J-PCBK	Mooney M20J Baffle Set - Powder Coated with Black Seal
SEALKIT-M20J-BK	Mooney M20J Black Seal Kit (Airforms' Replacements)

[Orange and blue seals are available at an additional cost.]

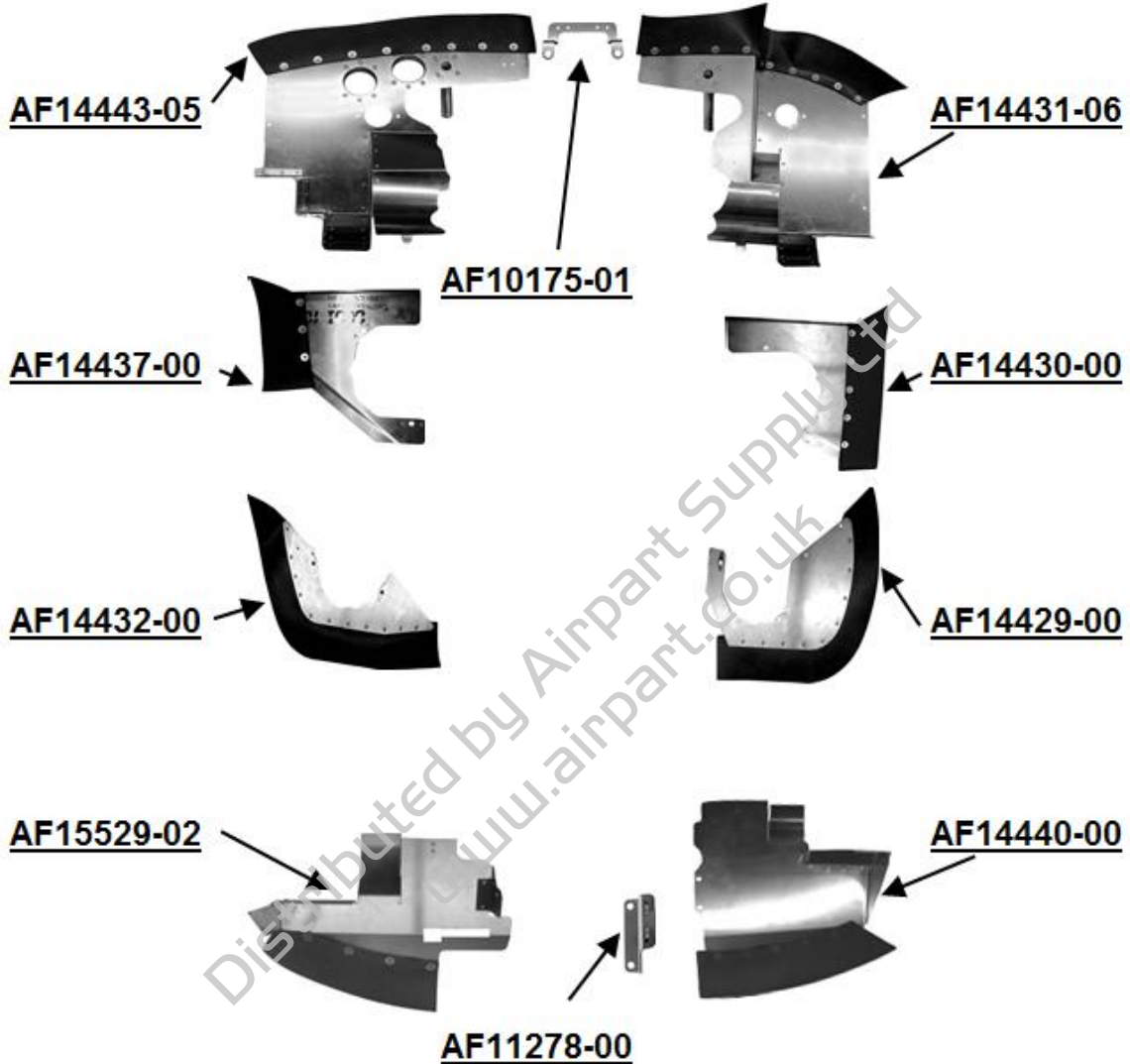
**FAA PMA ENGINE Baffles for PIPER AIRCRAFT
 PIPER PA-18-150**



ELIGIBILITY: S/N 18-3781 THRU 18-09079, and 18-09088, 18-09100, 18-09113	
Kit Part Number	Description
PA18150-BRBK	PA18-150 Baffle Set - Bare Metal with Black Seal
PA18150-PCBK	PA18-150 Baffle Set - Powder Coated with Black Seal
SEALKIT-PA18150-BK	PA18-150 Black Seal Kit (Airforms' Replacements)

[Orange and blue seals are available at an additional cost.]

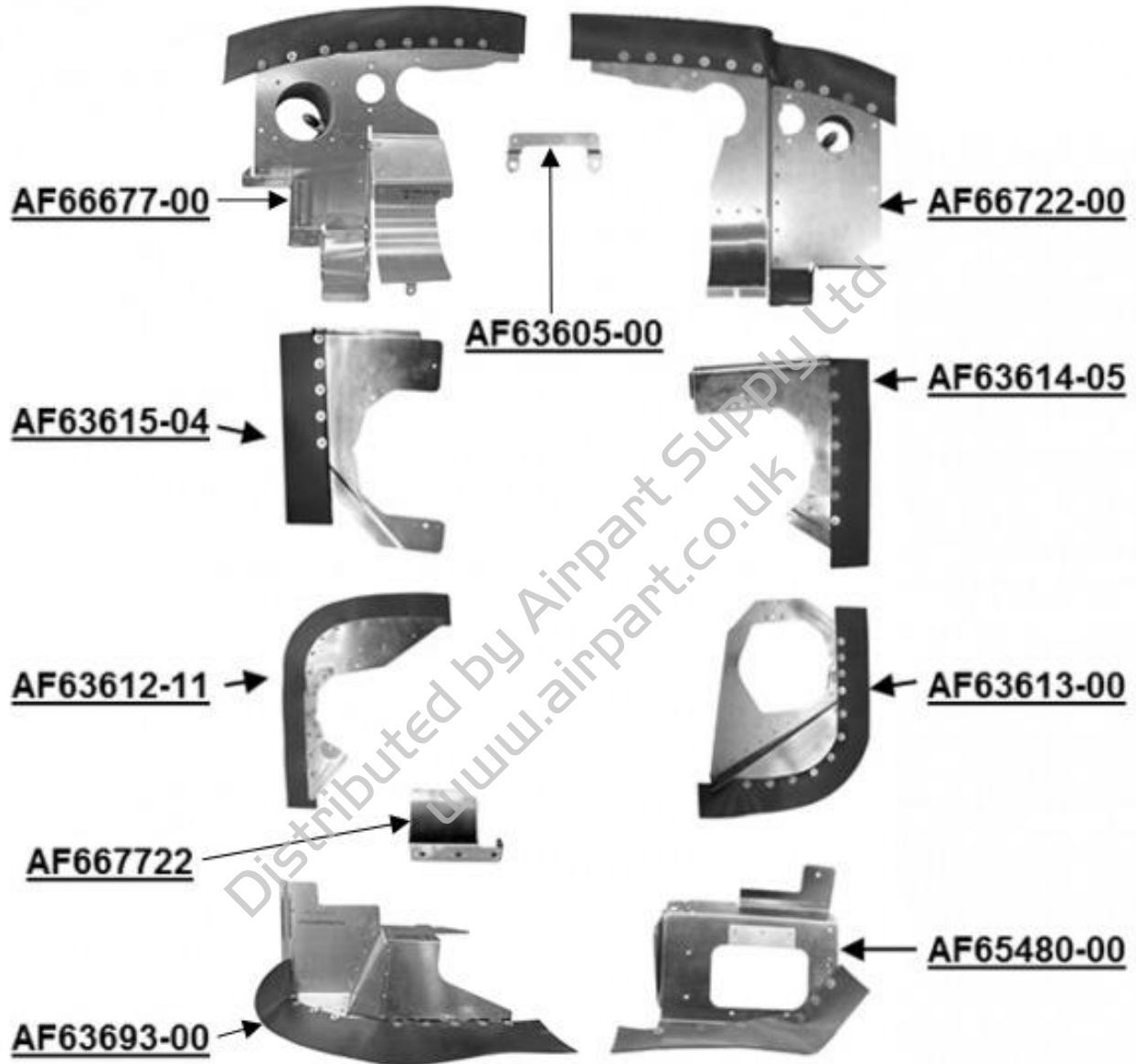
**FAA PMA ENGINE Baffles for PIPER AIRCRAFT
 PIPER PA-22-150**



ELIGIBILITY: PA-22-150 S/N 22-2425 THRU 22-7630	
Kit Part Number	Description
PA22150-BRBK	PA22-150 Baffle Set - Bare Metal with Black Seal
PA22150-PCBK	PA22-150 Baffle Set - Powder Coated with Black Seal
SEALKIT-PA22150-BK	PA22-150 Black Seal Kit (Airforms' Replacements)

[Orange and blue seals are available at an additional cost.]

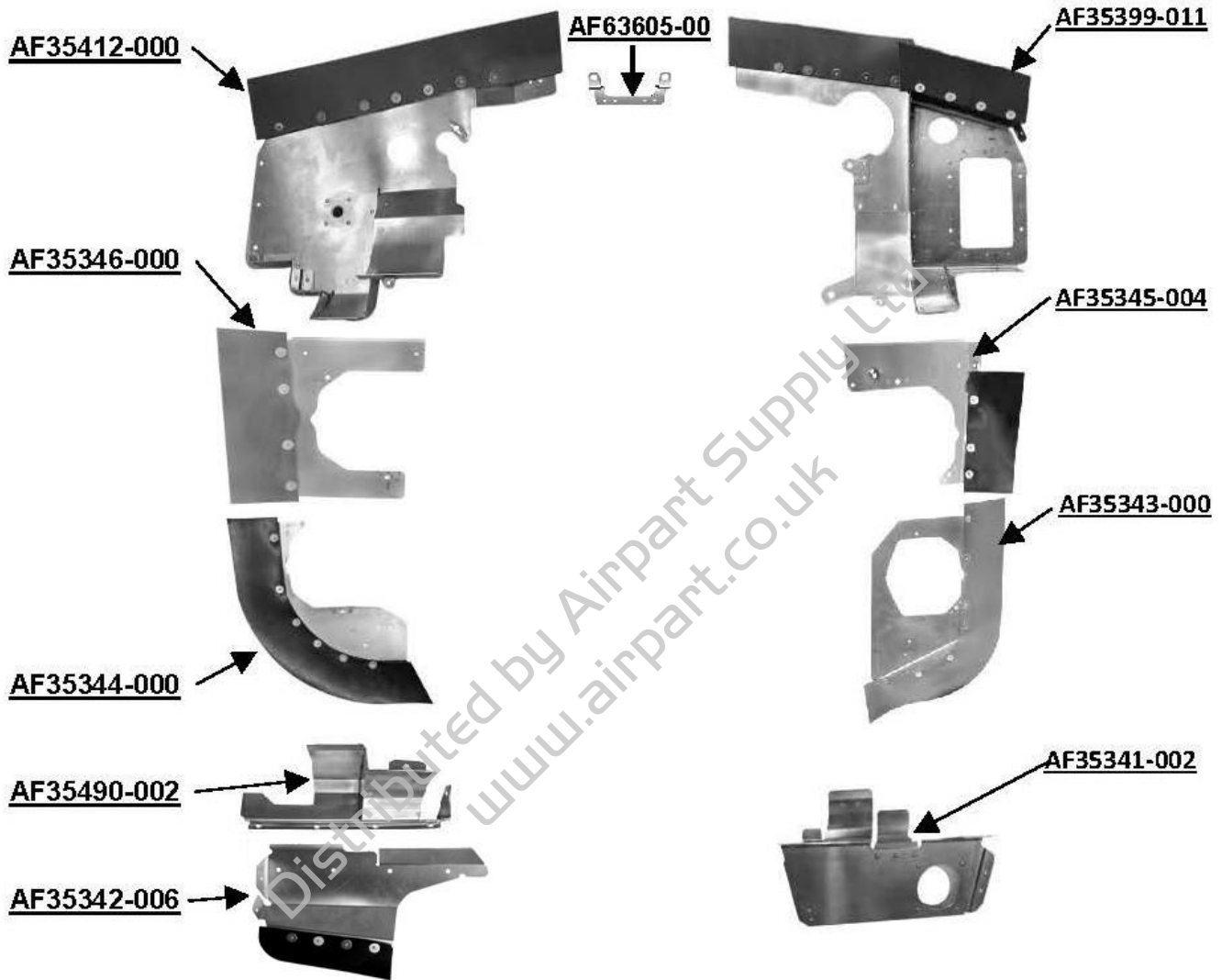
**FAA PMA ENGINE Baffles for PIPER AIRCRAFT
 PIPER PA-28-140 (1964 -1971.5)**



ELIGIBILITY: PA-28-140 S/N 28-20002 thru 28-7125471	
Kit Part Number	Description
PA28140-64715BRBK	1964-71.5 PA28-140 Baffle Set - Bare Metal with Black Seal
PA28140-64715PCBK	1964-71.5 PA28-140 Baffle Set - Powder Coated with Black Seal
SEALKIT-PA28140-64715-BK	1964-71.5 PA28-140 Black Seal Kit (Airforms' Replacements)

[Orange and blue seals are available at an additional cost.]

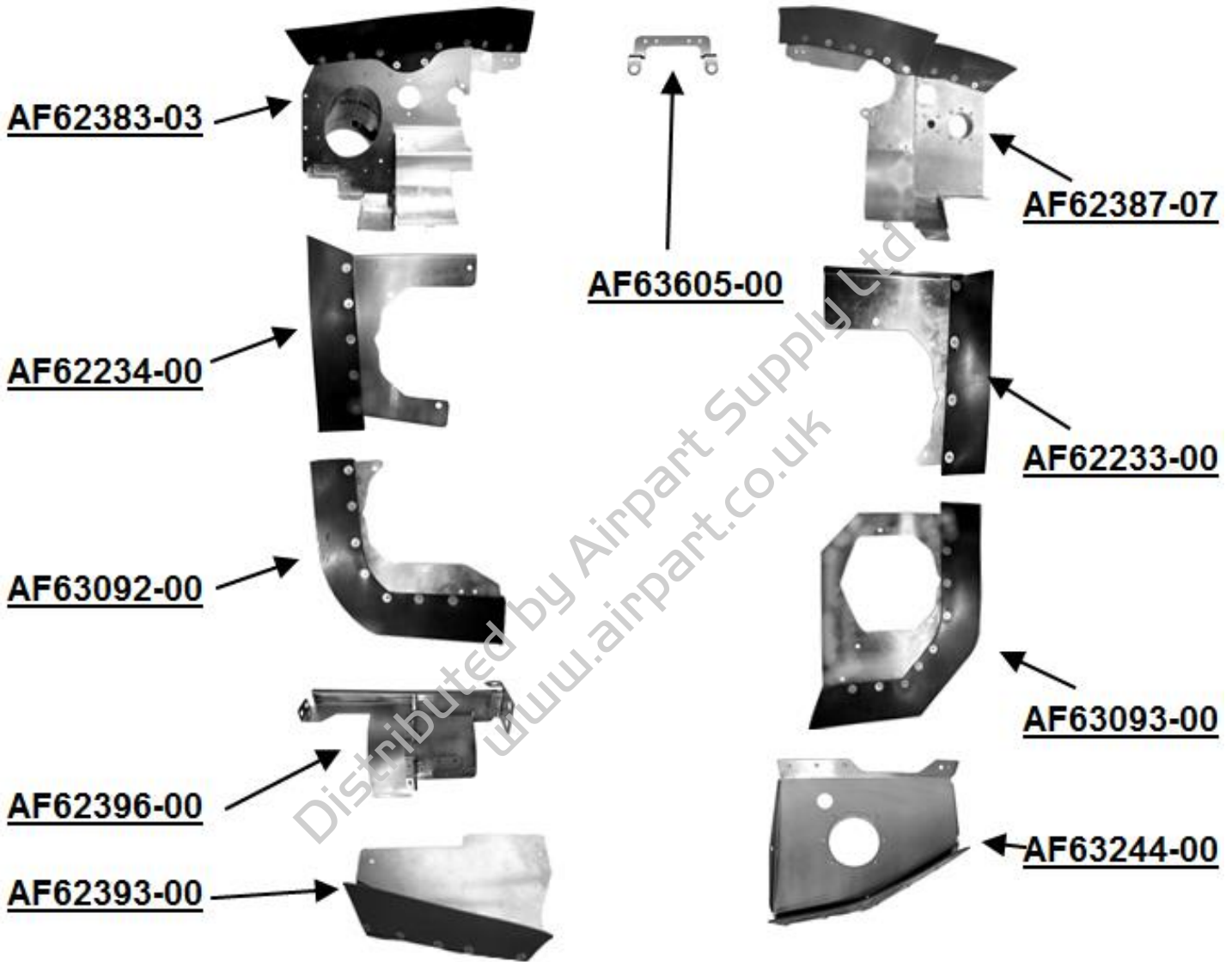
**FAA PMA ENGINE Baffles for PIPER AIRCRAFT
 PIPER PA-28-161**



ELIGIBILITY: PA-28-161 S/N - 28-8116176, 28-8316001 & on	
Kit Part Number	Description
PA28161-BRBK	PA28-161 Baffle Set - Bare Metal with Black Seal
PA28161-PCBK	PA28-161 Baffle Set - Powder Coated with Black Seal
SEALKIT-PA28161-BK	PA28-161 Black Seal Kit (Airforms' Replacements)

[Orange and blue seals are available at an additional cost.]

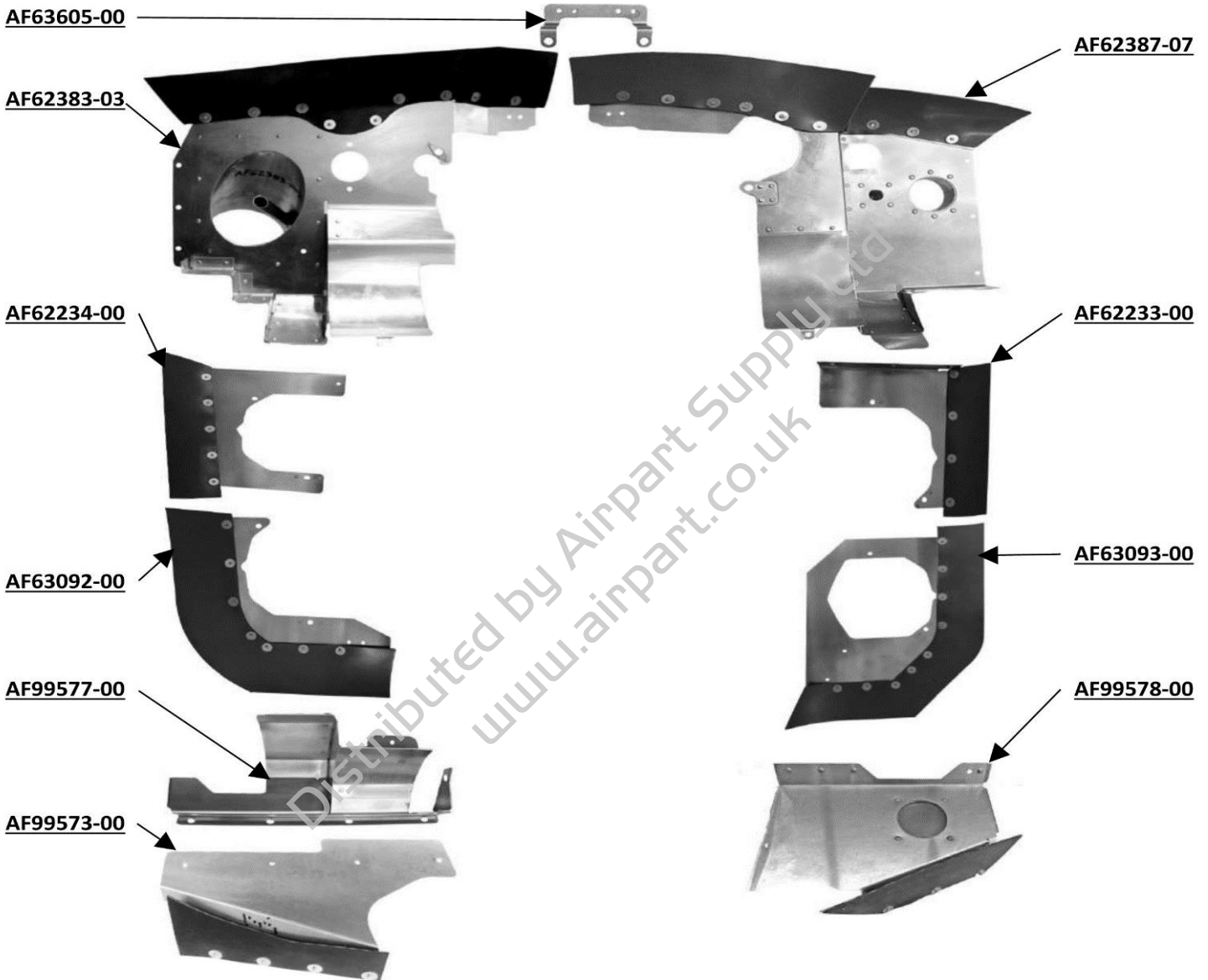
**FAA PMA ENGINE Baffles for PIPER AIRCRAFT
 PIPER PA-28-180 (1965-72.5)**



ELIGIBILITY: PA-28-180 S/N 28-1761 thru 28-7205091	
Kit Part Number	Description
PA28180-65725BRBK	1965-72.5 PA28-180 Baffle Set - Bare Aluminum with Black Seal
PA28180-65725PCBK	1965-72.5 PA28-180 Baffle Set - Powder Coated with Black Seal
SEALKIT-PA28180-6572-BK	1965-72.5 PA28-180 Black Seal Kit (Airforms' Replacements)

[Orange and blue seals are available at an additional cost.]

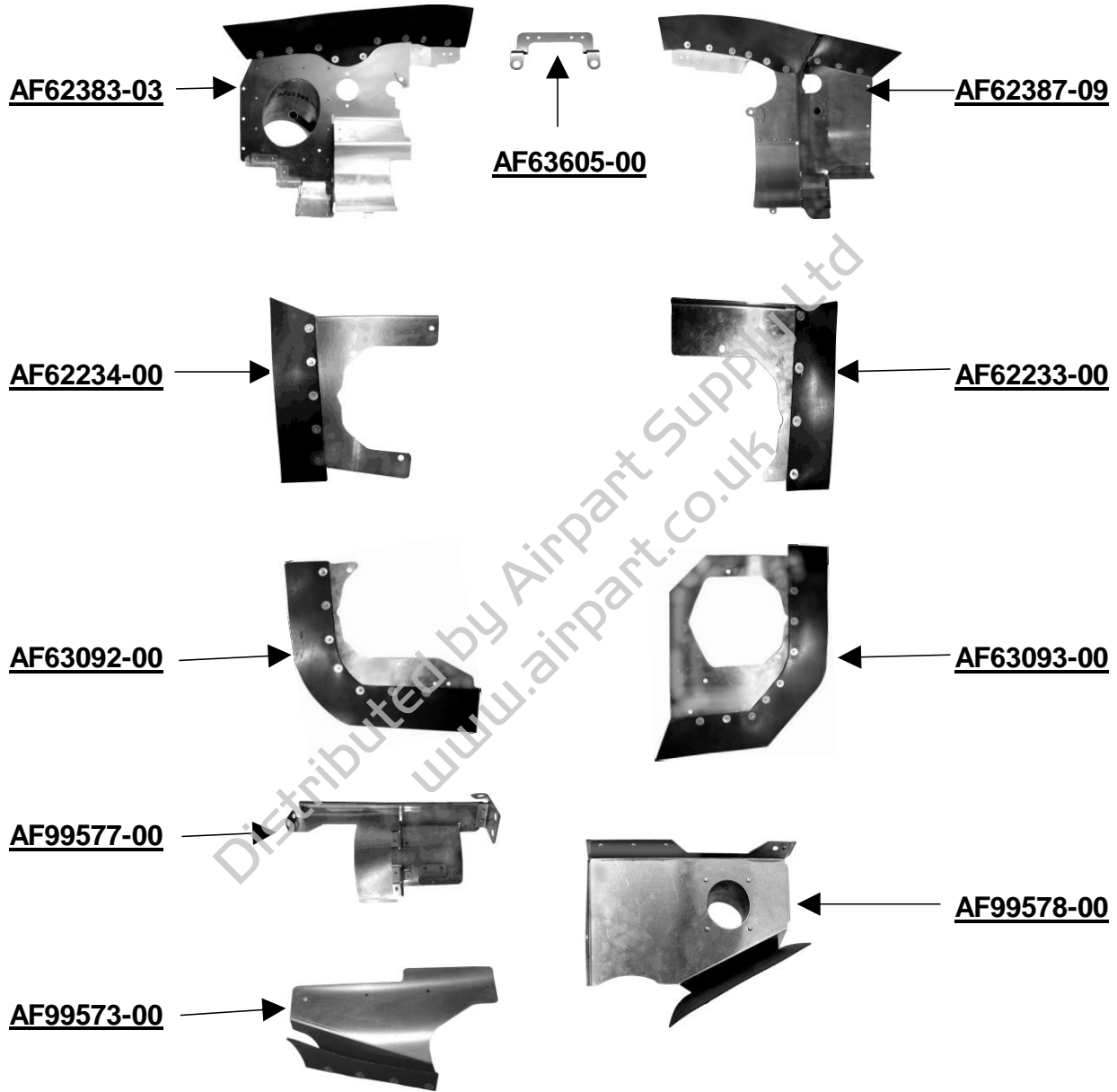
**FAA PMA ENGINE Baffles for PIPER AIRCRAFT
 PIPER PA-28-180 (1972.5-75)**



ELIGIBILITY: PA-28-180 S/N 28-7205092 thru 28-7505259	
Kit Part Number	Description
PA28180-72.575BRBK	1972.5-75 PA28-180 Baffle Set - Bare Metal with Black Seal
PA28180-72.575PCBK	1972.5-75 PA28-180 Powder Coated with Black Seal
SEALKIT-PA28180-72.575-BK	1972.5-75 PA28-180 Black Seal Kit (Airforms' Replacements)

[Orange and blue seals are available at an additional cost.]

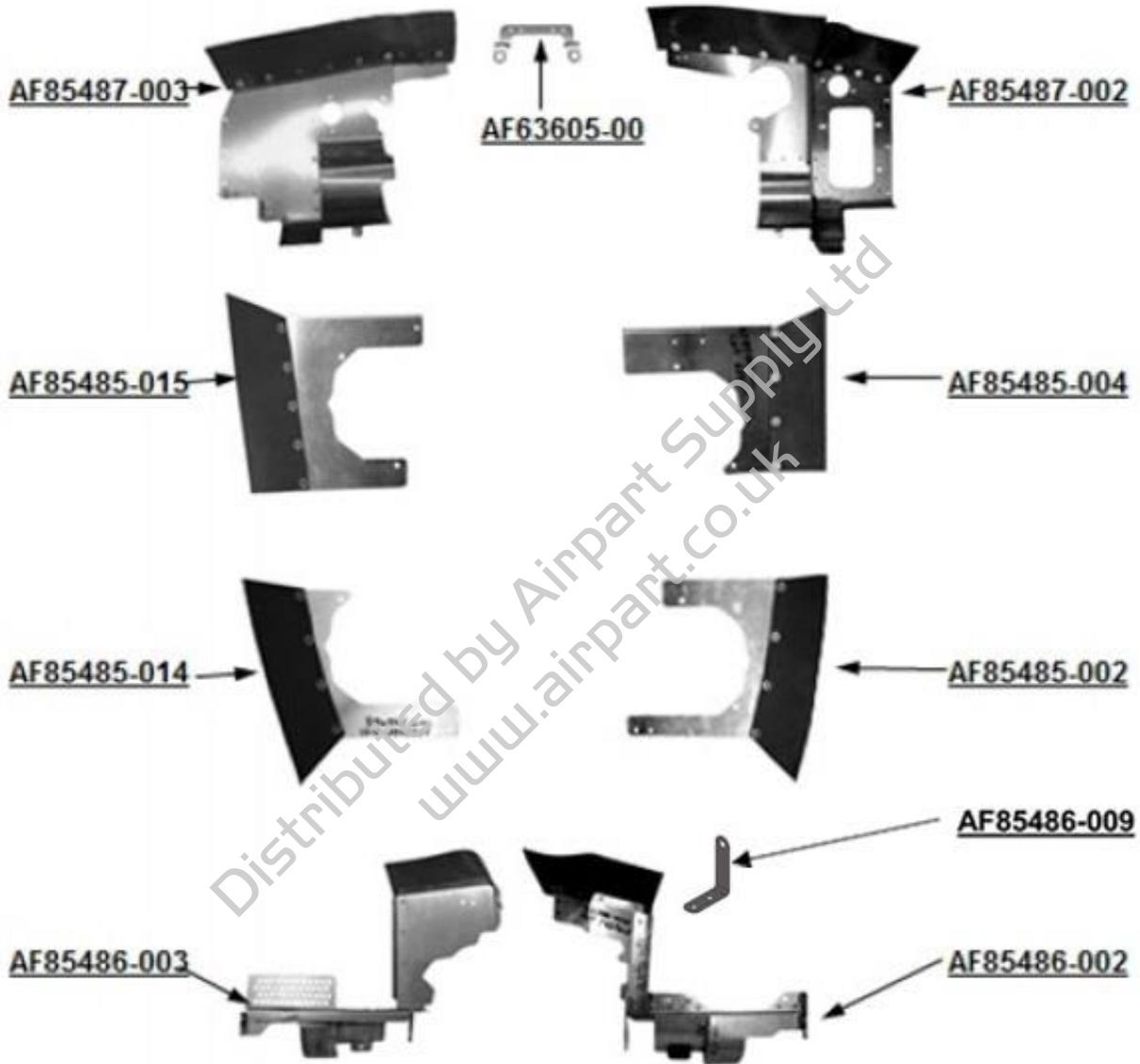
**FAA PMA ENGINE Baffles for Piper Aircraft
 PIPER PA-28-181 ARCHER 2**



ELIGIBILITY: PA-28-181 S/N 28-8090001 and up	
Kit Part Number	Description
PA28181-2BRBK	PA28-181 Archer 2 Baffle Set - Bare Metal with Black Seal
PA28181-2PCBK	PA28-181 Archer 2 Baffle Set - Powder Coated with Black Seal
SEALKIT-PA28181-2-BK	PA28-181 Archer 2 Black Seal Kit (Airforms' Replacements)

[Orange and blue seals are available at an additional cost.]

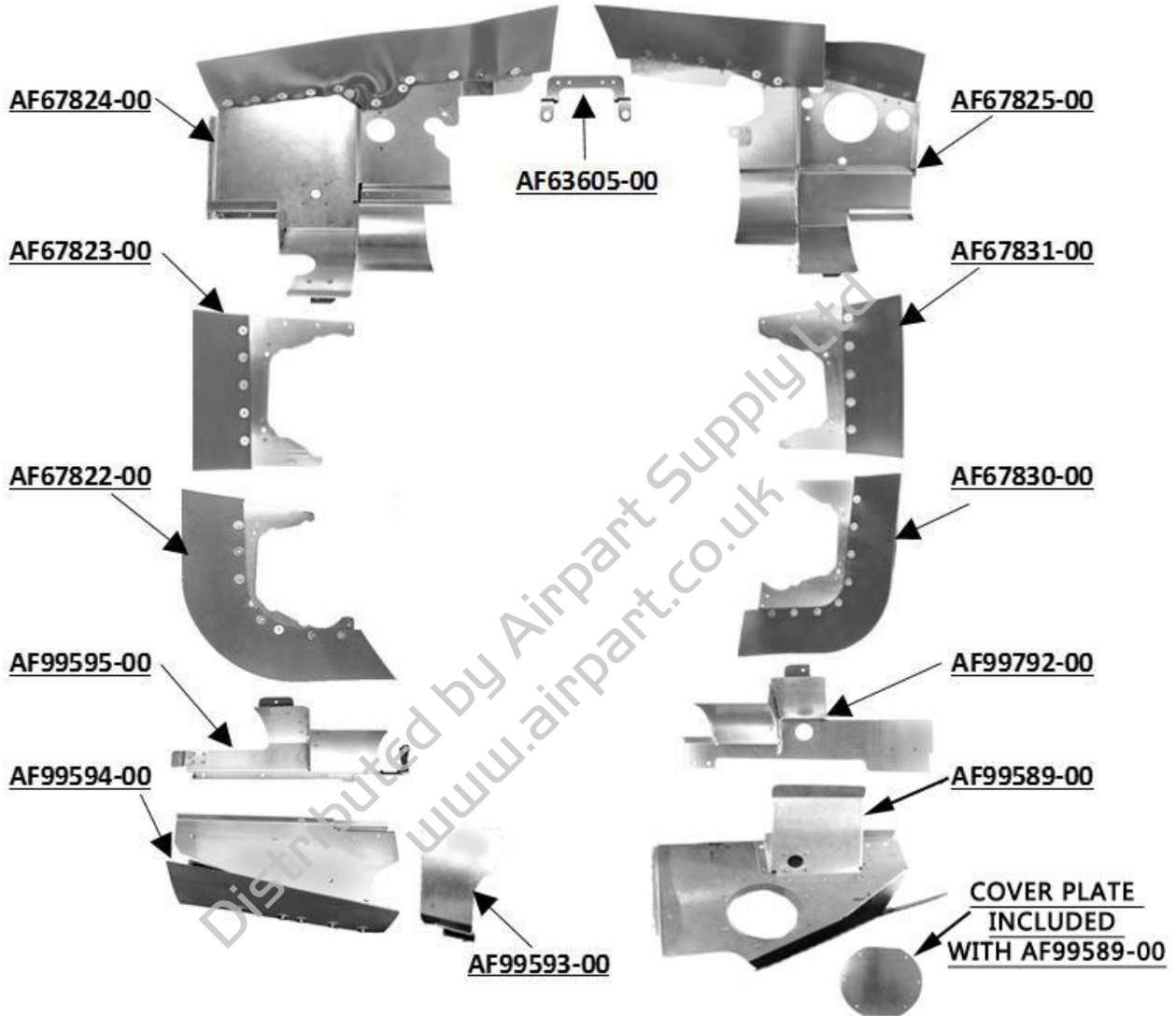
**FAA PMA ENGINE Baffles for PIPER AIRCRAFT
 PIPER PA-28-181 ARCHER 3**



ELIGIBILITY: PA-28-181 S/N 28-43001 & on – excluding fuel injected models	
Kit Part Number	Description
PA28181-3BRBK	PA28-181 Archer 3 Baffle Set - Bare Metal with Black Seal
PA28181-3PCBK	PA28-181 Archer 3 Baffle Set - Powder Coated with Black Seal
SEALKIT-PA28181-3-BK	PA28-181 Archer 3 Black Seal Kit (Airforms' Replacements)

[Orange and blue seals are available at an additional cost.]

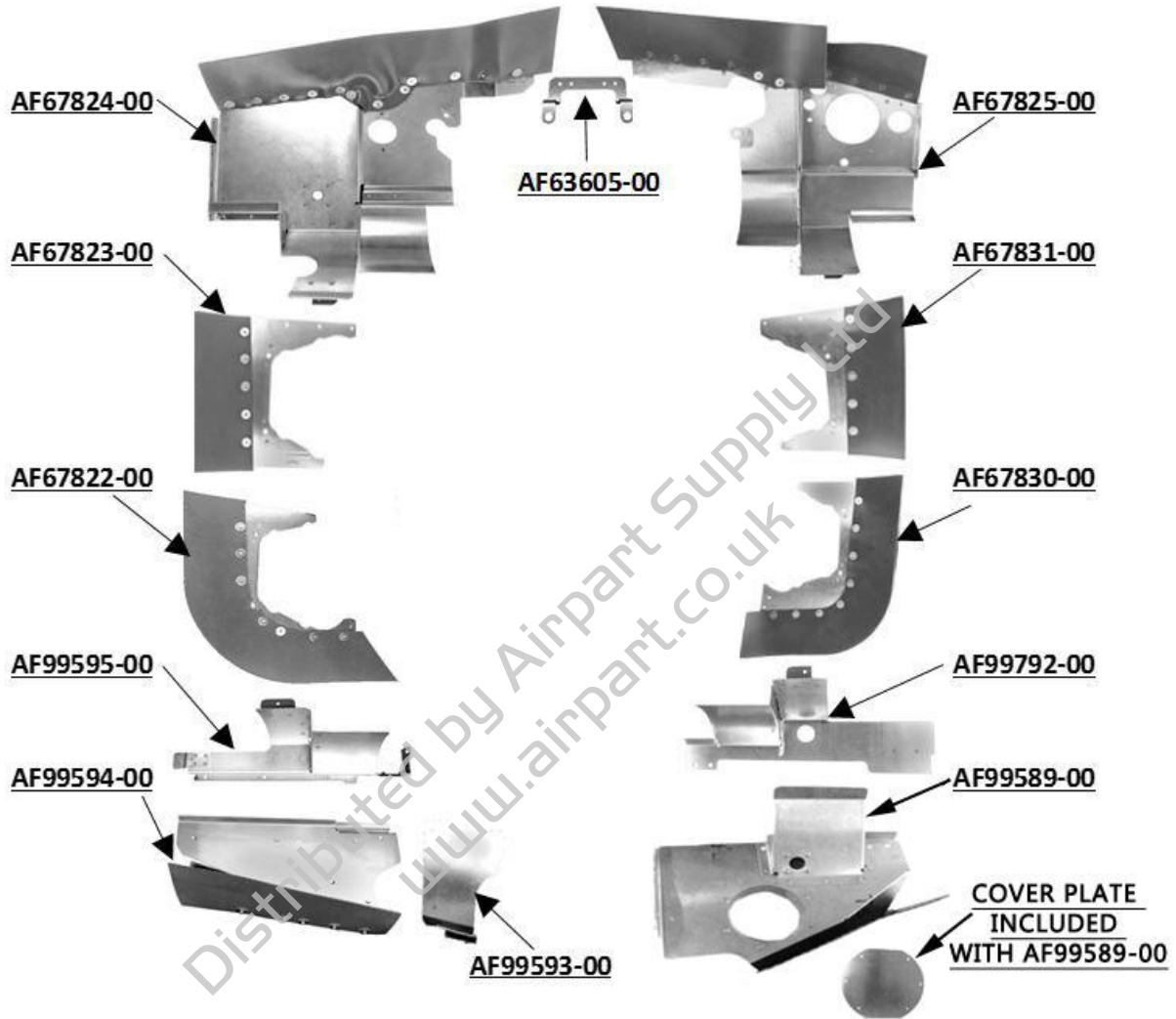
**FAA PMA ENGINE Baffles for PIPER Aircraft
 PIPER PA-28R-200**



ELIGIBILITY: 1972-76 S/N 28R-7235001 thru 28R-7635545	
Kit Part Number	Description
PA28R200-BRBK	PA28R-200 Baffle Set - Bare Metal with Black Seal
PA28R200-PCBK	PA28R-200 Baffle Set - Powder Coated with Black Seal
SEALKIT-PA28R200-BK	PA28R-200 Black Seal Kit (Airforms' Replacements)

[Orange and blue seals are available at an additional cost.]

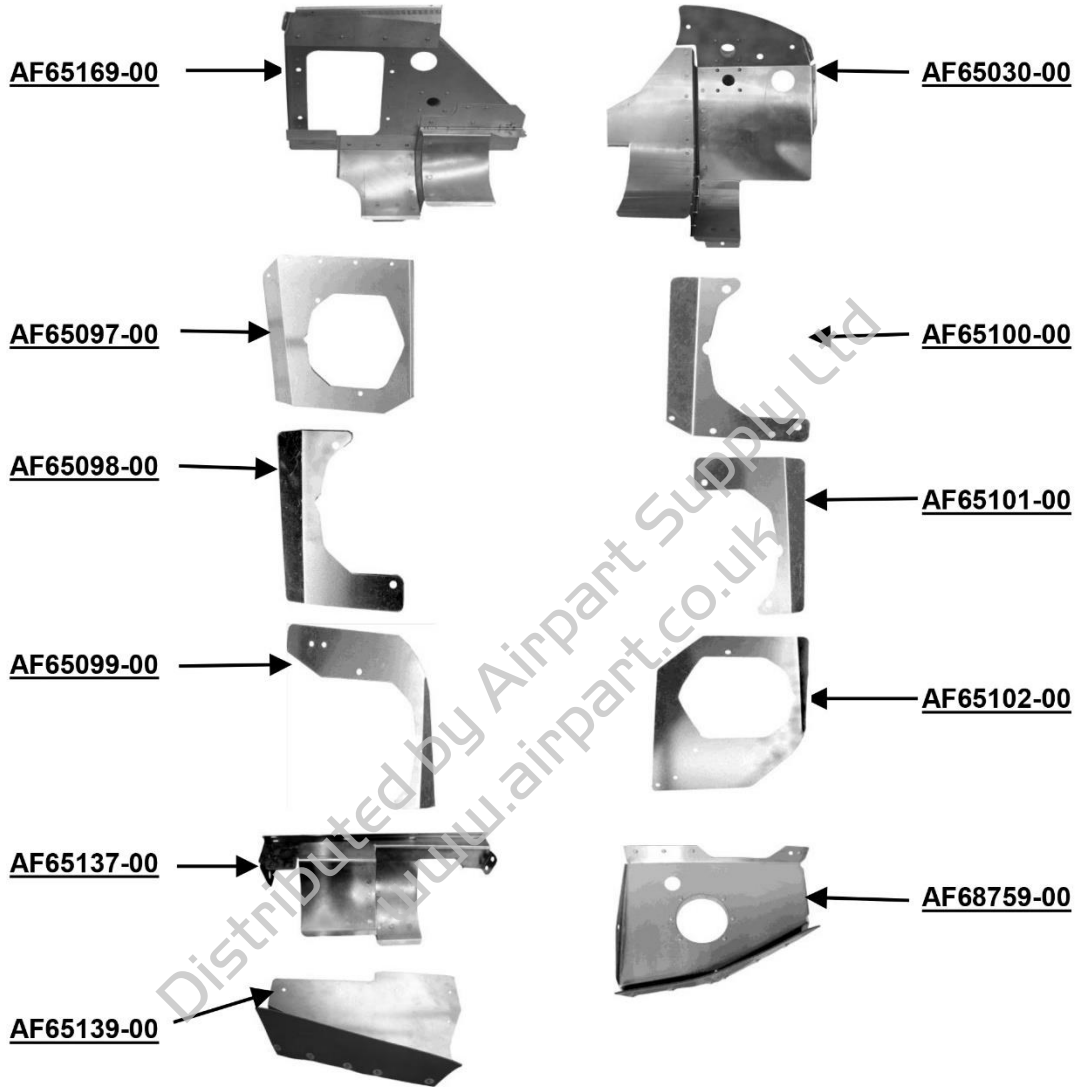
**FAA PMA ENGINE Baffles for PIPER Aircraft
 PIPER PA-28R-201**



ELIGIBILITY: PA-28R-201 S/N 28R-7737001 - Present	
Kit Part Number	Description
PA28R201-BRBK	PA28R-201 Baffle Set - Bare Metal with Black Seal
PA28R201-PCBK	PA28R-201 Baffle Set - Powder Coated with Black Seal
SEALKIT-PA28R201-BK	PA28R-201 Black Seal Kit (Airforms' Replacements)

[Orange and blue seals are available at an additional cost.]

**FAA PMA ENGINE Baffles for PIPER AIRCRAFT
 PIPER PA-28-235**



ELIGIBILITY: PA-28-235 S/N 28-10003 thru 28-7210033	
Kit Part Number	Description
PA28235-BRBK	PA28-235 Baffle Set - Bare Metal with Black Seal
PA28235-PCBK	PA28-235 Baffle Set - Powder Coated with Black Seal
SEALKIT-PA28235-BK	PA28-235 Black Seal Kit (Airforms' Replacements)

[Orange and blue seals are available at an additional cost.]

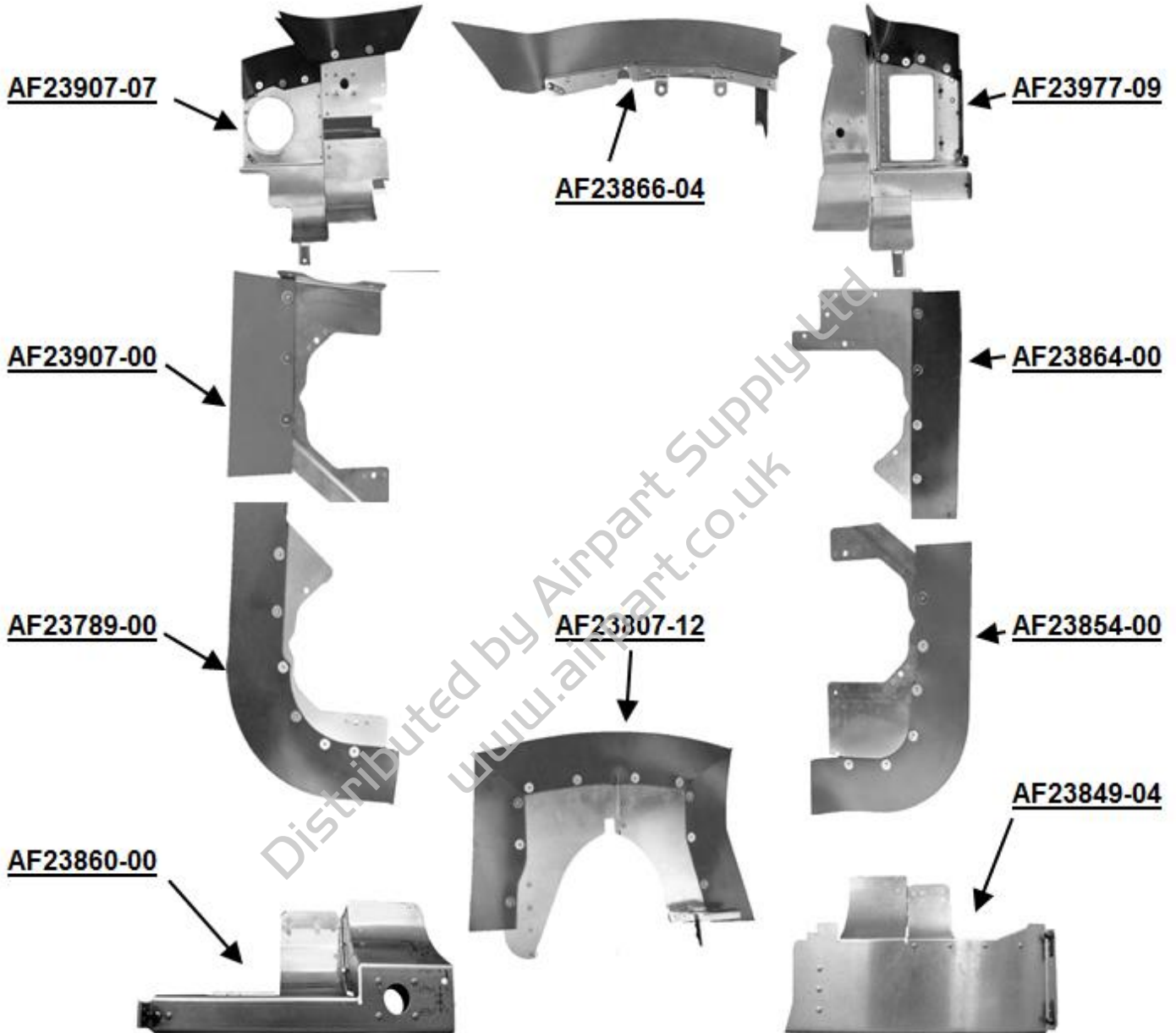
**FAA PMA ENGINE Baffles for PIPER AIRCRAFT
 PIPER PA-28-236**



ELIGIBILITY: PA-28-236 S/N 28-11001 thru 11050, 28-45001 and on , 28-7911001 thru 8611008	
Kit Part Number	Description
PA28236-BRBK	PA28-236 Baffle Set - Bare Metal with Black Seal
PA28236-PCBK	PA28-236 Baffle Set - Powder Coated with Black Seal
SEALKIT-PA28236-BK	PA28-236 Black Seal Kit (Airforms' Replacements)

[Orange and blue seals are available at an additional cost.]

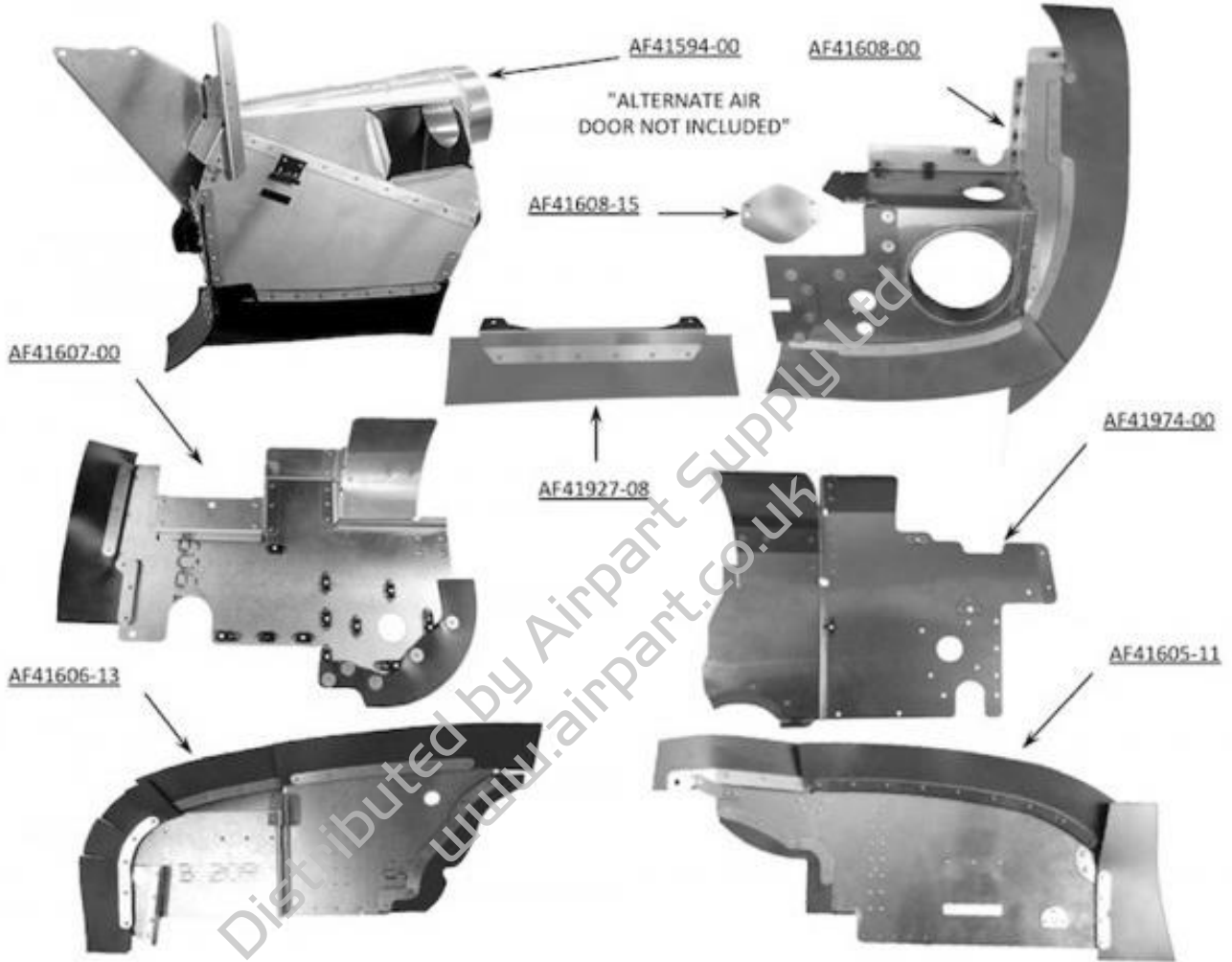
**FAA PMA ENGINE Baffles for PIPER Aircraft
 PIPER PA-30**



ELIGIBILITY: PA-30 S/N 30-542 thru 30-1744, excluding 1717	
Kit Part Number	Description
PA30-BRBK	PA30 Baffle Set - Bare Metal with Black Seal
PA30-PCBK	PA30 Baffle Set - Powder Coated with Black Seal
SEALKIT-PA3039-BK	PA30/39 Black Seal Kit (Airforms' Replacements)

[Orange and blue seals are available at an additional cost.]

**FAA PMA ENGINE Baffles for PIPER Aircraft
 PIPER PA-31-310**

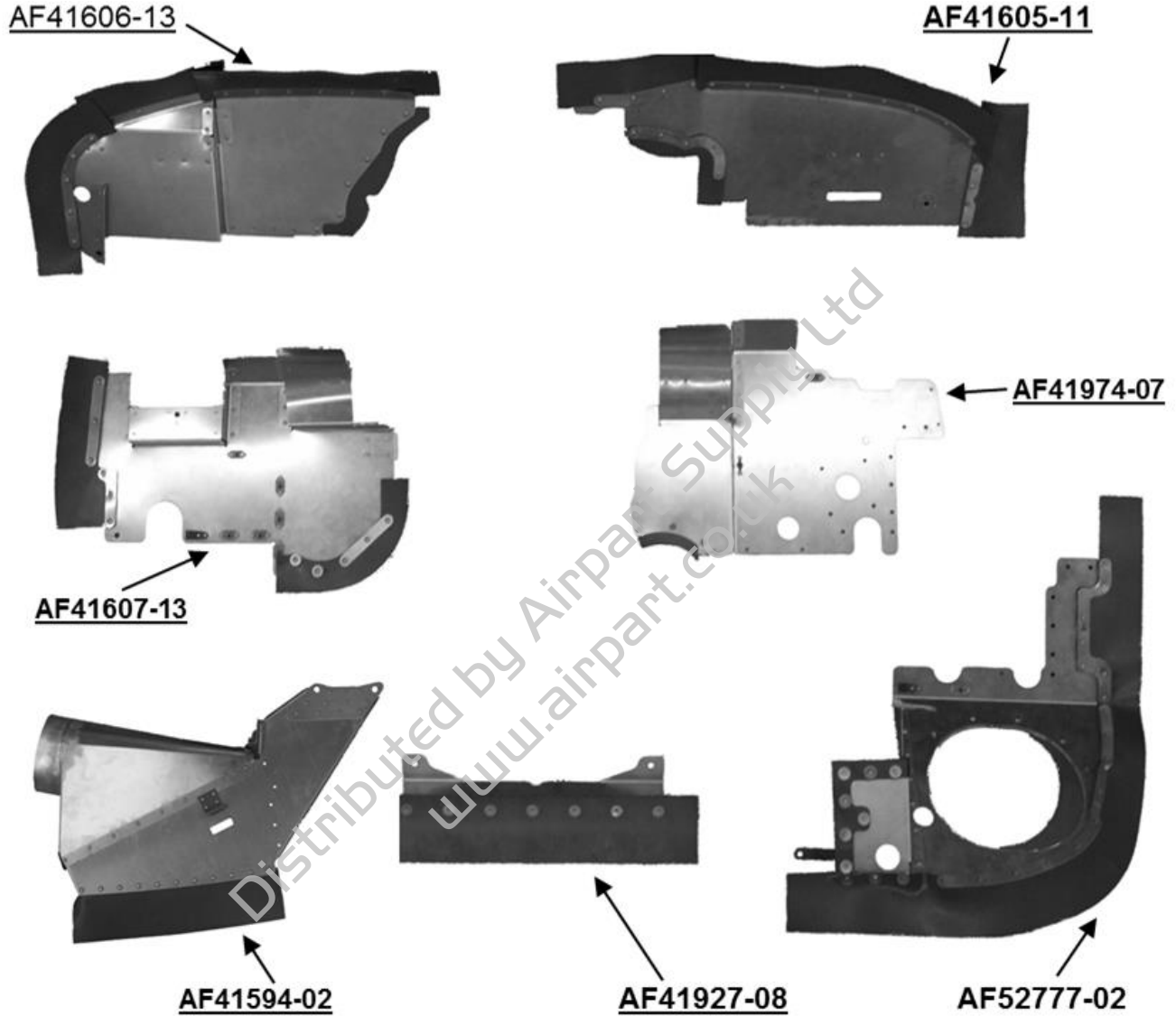


Note: Includes AMOC with AD 93-23-13 for baffle seal material.

ELIGIBILITY: S/N 31-2 thru 31-822031	
Kit Part Number	Description
PA31310-BRBK	PA31-310 Baffle Set - Bare Metal with Black Seal
PA31310-PCBK	PA31-310 Baffle Set - Powder Coated with Black Seal
SEALKIT-PA31310-BK	PA31-310 Black Seal Kit (Airforms' Replacements)

[Orange and blue seals are available at an additional cost.]

**FAA PMA ENGINE Baffles for PIPER AIRCRAFT
 PIPER PA-31 325 / 350**

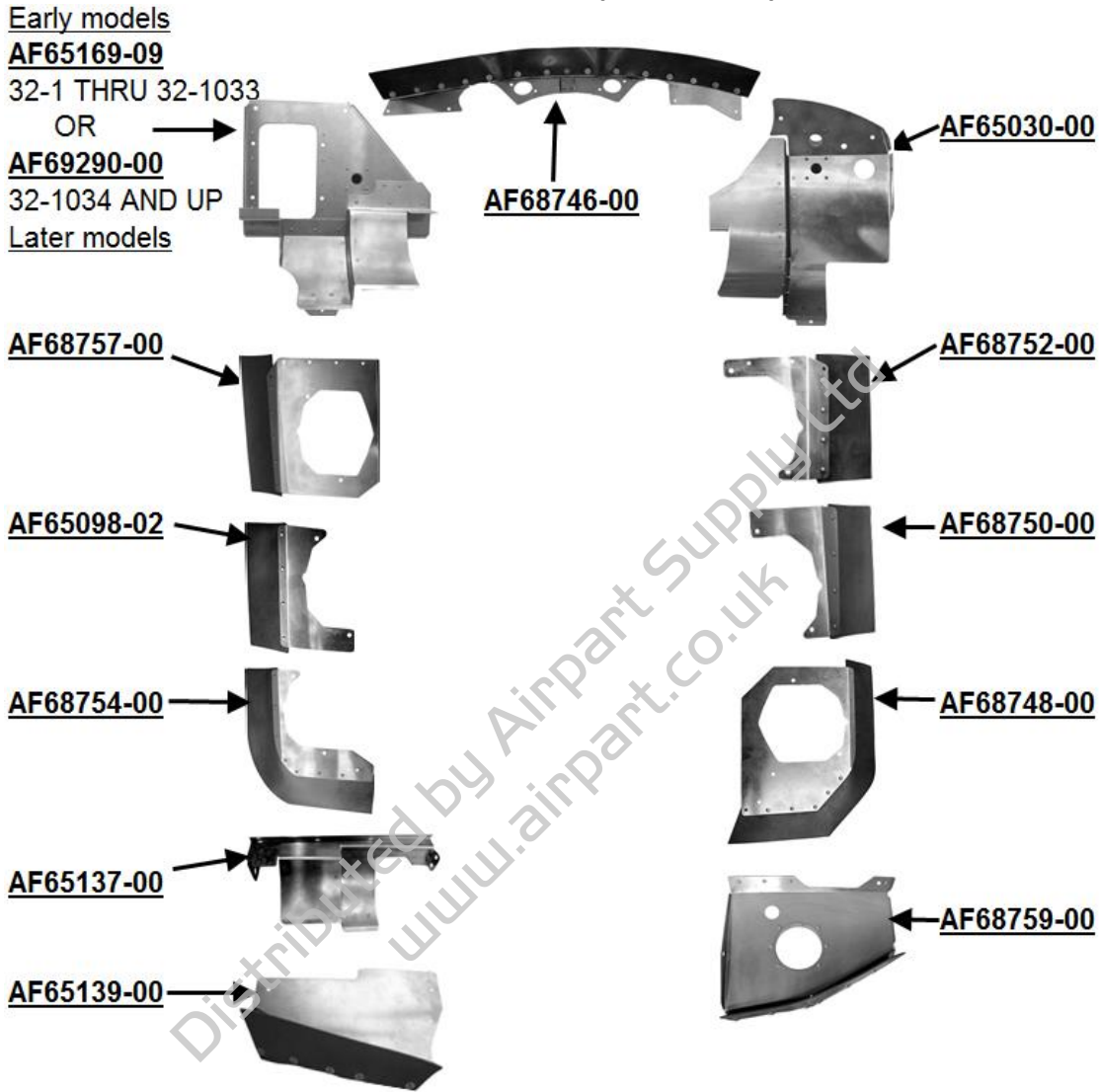


Note: Includes AMOC with AD 93-23-13 for baffle seal material.

Eligibility: 325 NAVAJO S/N 31-7512001 thru 31-8312019 350 CHIEFTIAN S/N 31-7305001 thru 31-8553002	
Kit Part Number	Description
PA31325350-BRBK	PA31-325/350 Baffle Set - Bare Metal with Black Seal
PA31325350-PCBK	PA31-325/350 Baffle Set - Powder Coated with Black Seal
SEALKIT-PA31325350-BK	PA31-325/350 Black Seal Kit (Airforms' Replacements)

[Orange and blue seals are available at an additional cost.]

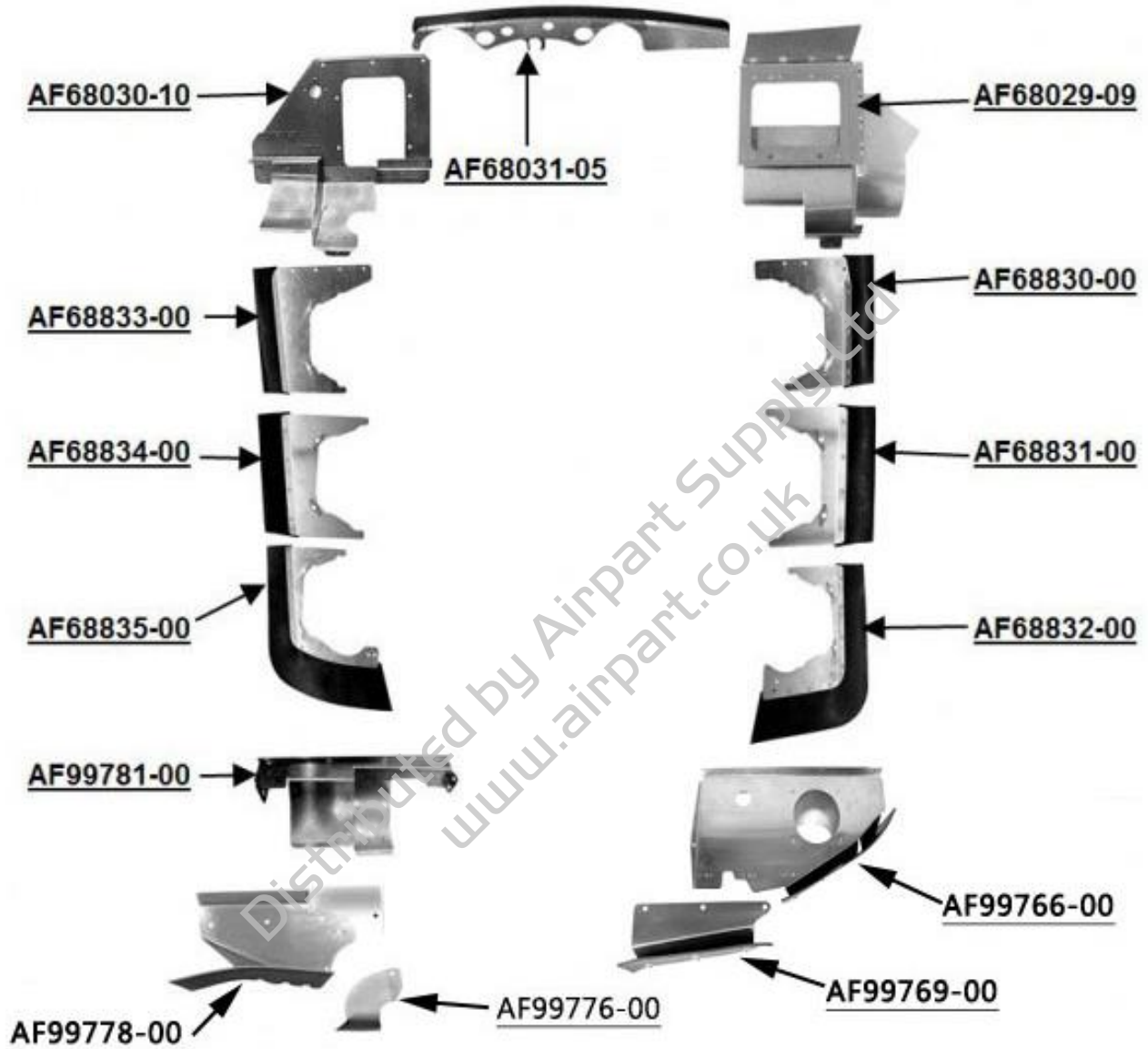
**FAA PMA ENGINE Baffles for PIPER Aircraft
 PIPER PA-32-260 (1965-1978)**



Eligibility: PA32-260 1965-68.5 S/N 32-1 thru 32-1033	
Kit Part Number	Description
PA32260-6568.5BRBK	1965-68.5 PA32-260 Baffle Set - Bare Metal with Black Seal
PA32260-6568.5PCBK	1965-68.5 PA32-260 Baffle Set - Powder Coated with Black Seal
Eligibility: PA32-260 1968.5-78 S/N 32-1034 & on	
Kit Part Number	Description
PA32260-68.578BRBK	1968.5-78 PA32-260 Baffle Set - Bare Metal with Black Seal
PA32260-68.578PCBK	1968.5-78 PA32-260 Baffle Set - Powder Coated with Black Seal
Seal Kit Part Number	Description
SEALKIT-PA32260-BK	1968-78 PA32-260 Black Seal Kit [covers both ranges] (Airforms' Replacements)

[Orange and blue seals are available at an additional cost.]

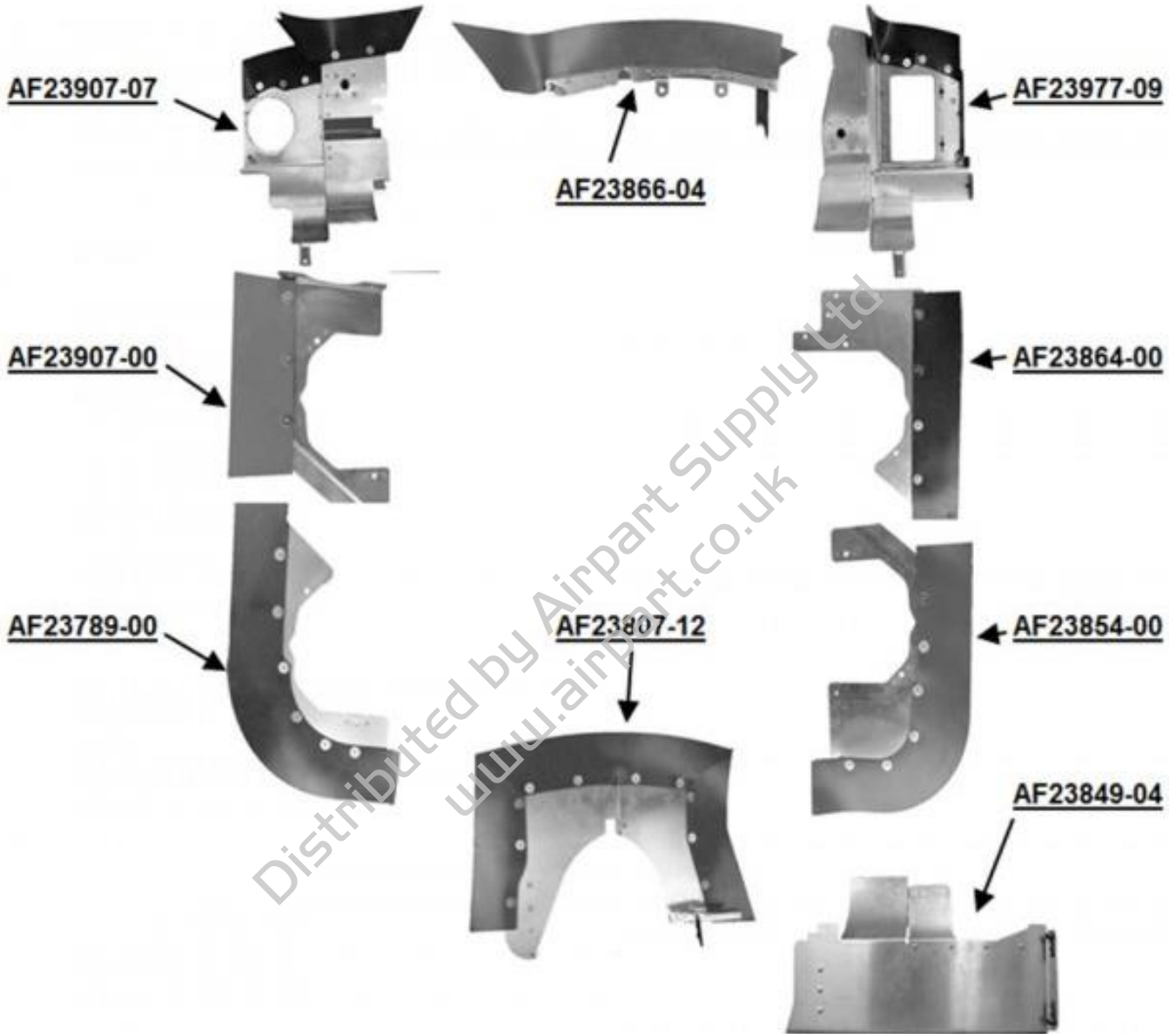
**FAA PMA ENGINE Baffles for PIPER AIRCRAFT
 PIPER PA-32-300**



ELIGIBILITY: S/N 32-7640072 thru 32-7940290	
Kit Part Number	Description
PA32300-BRBK	PA32-300 Baffle Set - Bare Metal with Black Seal
PA32300-PCBK	PA32-300 Baffle Set - Powder Coated with Black Seal
SEALKIT-PA32300-BK	PA32-300 Black Seal Kit (Airforms' Replacements)

[Orange and blue seals are available at an additional cost.]

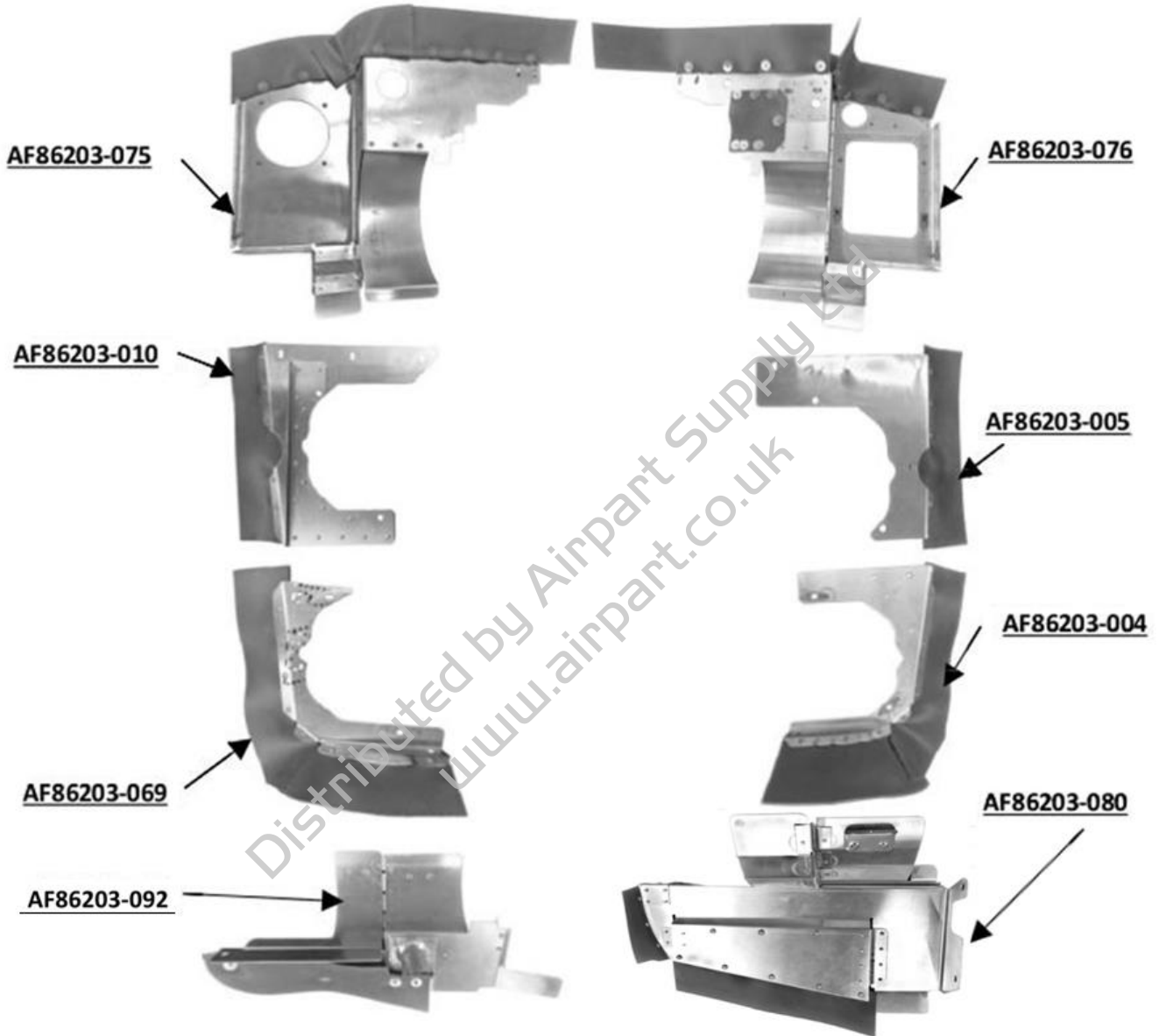
**FAA PMA ENGINE Baffles for PIPER AIRCRAFT
 PIPER PA-39**



ELIGIBILITY: PA-39 S/N 39-1 thru 39-155	
Kit Part Number	Description
PA39-BRBK	PA39 Baffle Set - Bare Metal with Black Seal
PA39-PCBK	PA39 Baffle Set - Powder Coated with Black Seal
SEALKIT-PA3039-BK	PA30/39 Black Seal Kit (Airforms' Replacements)

[Orange and blue seals are available at an additional cost.]

**FAA PMA ENGINE Baffles for PIPER AIRCRAFT
 PIPER PA-44-180**



ELIGIBILITY: PA-44 S/N 44-7995001 & on	
Kit Part Number	Description
PA44180-BRBK	PA44-180 Baffle Set - Bare Metal with Black Seal
PA44180-PCBK	PA44-180 Baffle Set - Powder Coated with Black Seal
SEALKIT-PA44180-BK	PA44-180 Black Seal Kit (Airforms' Replacements)

[Orange and blue seals are available at an additional cost.]